



# Spare parts price list

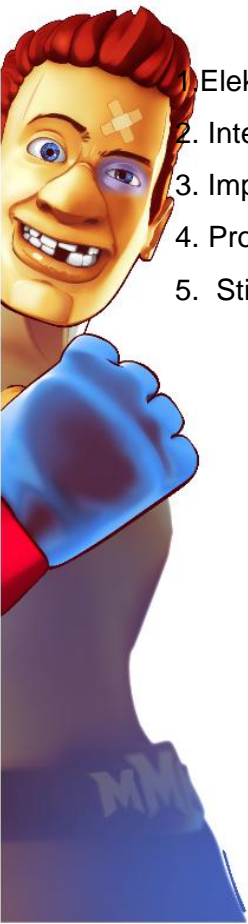
## TEST YOUR SPEED



PPHU „Ritter” Rycerz Michał

Ul. Rudzka 13B  
44-240 Żory

serwis@ritter-polska.pl  
NIP:6511661504



1. Elektronics.....	6
2. Internal components.....	13
3. Impact pads.....	28
4. Protectors.....	43
5. Stickers.....	52

TEST  
YOUR  
SPEED!

[serwis@ritter-polska.pl](mailto:serwis@ritter-polska.pl)



1.1 Main board JB5_500€ .....	7
1.2 Display JB5 1x2,3”_30€ .....	8
1.3 Display JB5 0,56”_25€ .....	9
1.4 Display 3x2,3”_40€ .....	10
1.5 Display 1x4”_40€ .....	11
1.6 Interface_10€ .....	12
2.1 Power Supply 150W 12V_35€.....	14
2.2 Speaker_20€ .....	15
2.3 Speaker woofer_20€ .....	16
2.4 Sound amplifier_50€.....	17
2.5 Logitech Z333_50€.....	18
2.6 Creative A120_50€.....	19
2.7 Entropy 2000_140€ .....	20
2.8 Cable for Entropy 2000_5€.....	21
2.9 Ticket container_10€ .....	22
2.10 Coin acceptor RM5_120€.....	23



TEST  
Your  
SPEED!

serwis@ritter-polska.pl



2.11 Coin acceptor Alberici_120€.....	24
2.12 Cable for coin akceptor_5€.....	25
2.13 Start button_12€.....	26
2.14 speaker grill_7€.....	27
3.1 Impact pad sensor_15€.....	29
3.2 Upper impact pad_36€.....	30
3.3 Upper plastic part with LED_30€.....	31
3.4 Top led strip_10€.....	32
3.5 Cover upper impact pad_5€.....	33
3.6 Middle impact pad_30€.....	34
3.7 Middle plastic part with LED_50€.....	35
3.8 Bottom impact pad_200€.....	36
3.9 Bottom plastic part with LED_50€.....	37
3.10 Bottom led strip_7€.....	38
3.11 Cover bottom impact pad_5€.....	39
3.12 Side LED strip_35€.....	40



TEST  
Your  
SPEED!

serwis@ritter-polska.pl



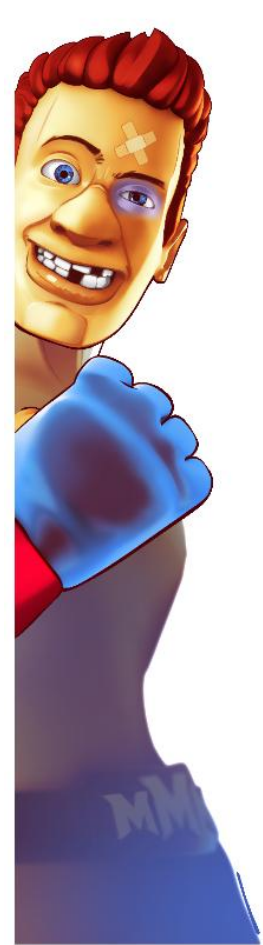
3.13 Controller LED_ 10€.....	41
3.14 Top MMA_ 45€.....	42
4.1 Upper protektor_ 10€.....	44
4.2 Top cover for pole_ 10€.....	45
4.3 Bottom cover for pole_ 10€.....	46
4.4 MMA side cushion left or righth_ 20€.....	47
4.5 Front cover MMA (waterproof)_ 75€.....	48
4.6 Set of covers MMA SLIM (waterproof)_ 150€.....	49
4.7 Front cover MMA SLIM (waterproof)_ 75€.....	50
4.8 Back cover MMA (waterproof)_ 75€.....	51
5.1 Side stickers_ 100€.....	53
5.2 Side stickers _ 100€.....	54
5.3 Information stickers_ 5€.....	55



TEST  
Your  
SPEED!

serwis@ritter-polska.pl



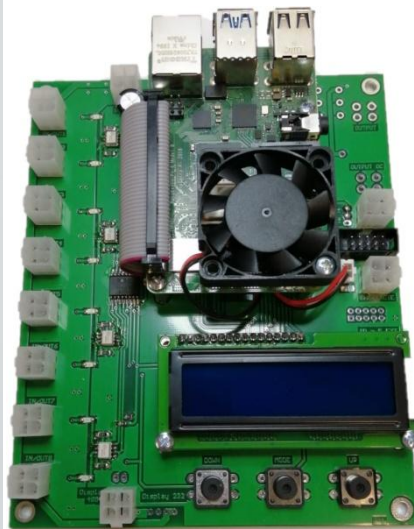
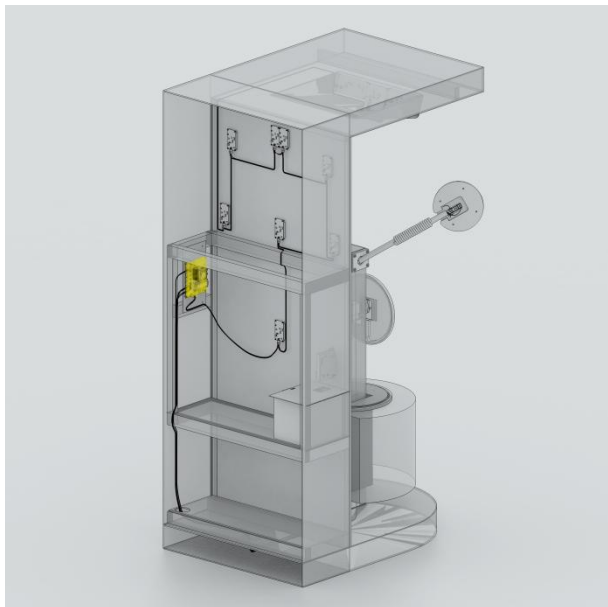
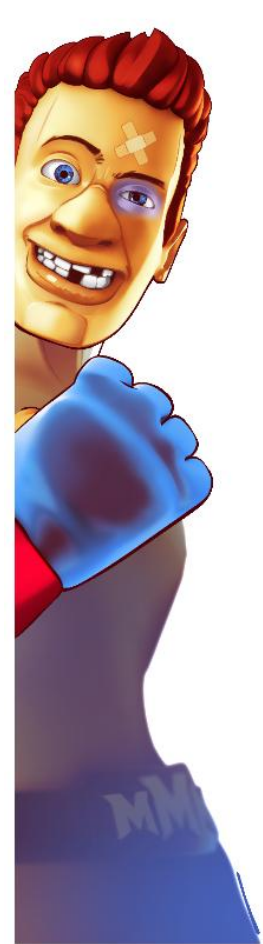


# 1. Elektronics

TEST  
YOUR  
SPEED!

[serwis@ritter-polska.pl](mailto:serwis@ritter-polska.pl)



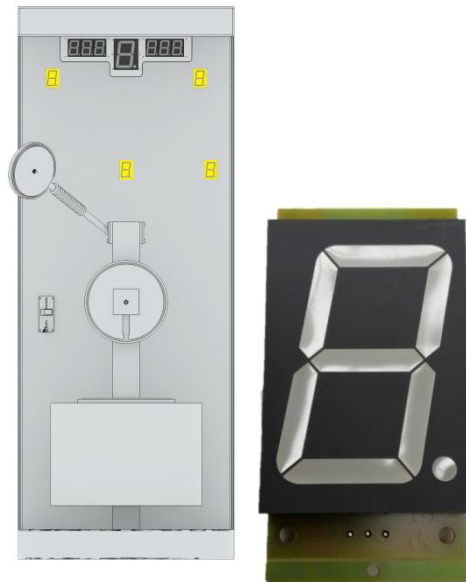


1.1 Main board JB5\_500€

TEST  
Your  
SPEED!

serwis@ritter-polska.pl





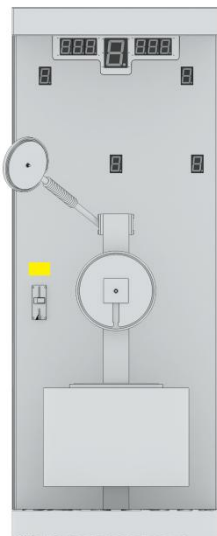
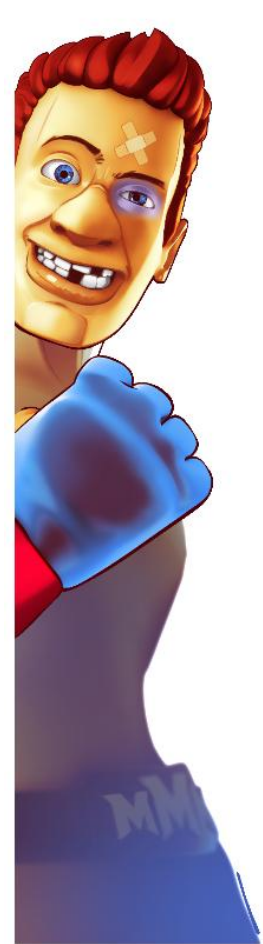
1.2 Display JB5 1x2,3''\_30€

TEST  
Your  
SPEED!

serwis@ritter-polska.pl





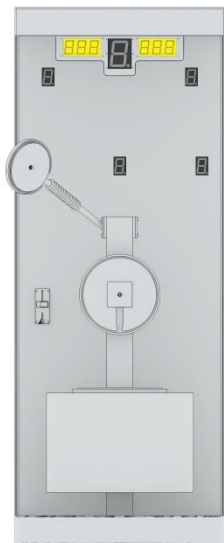
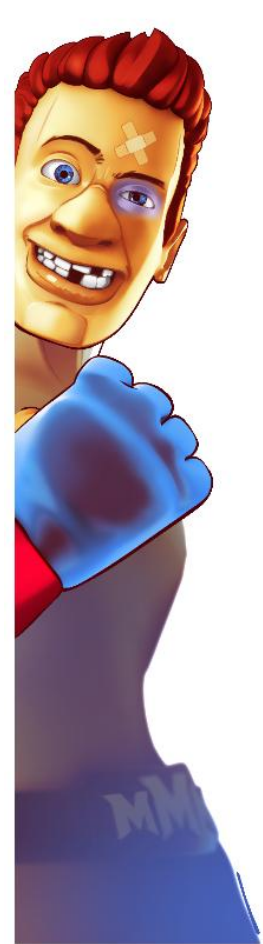


1.3 Display JB5 0,56" \_25€

TEST  
Your  
SPEED!

[serwis@ritter-polska.pl](mailto:serwis@ritter-polska.pl)



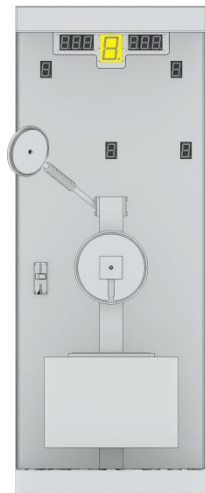


1.4 Display 3x2,3" \_40€

TEST  
Your  
SPEED!

serwis@ritter-polska.pl



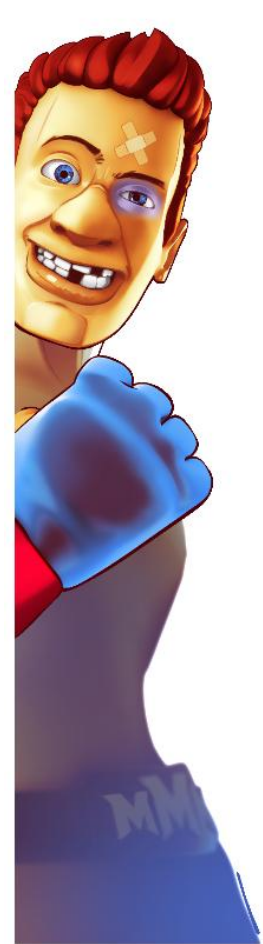


1.5 Display 1x4" \_40€

TEST  
Your  
SPEED!

serwis@ritter-polska.pl



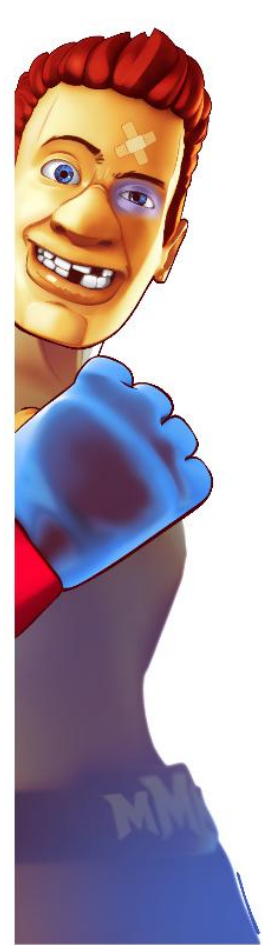


1.6 Interface\_10€

TEST  
Your  
SPEED!

serwis@ritter-polska.pl



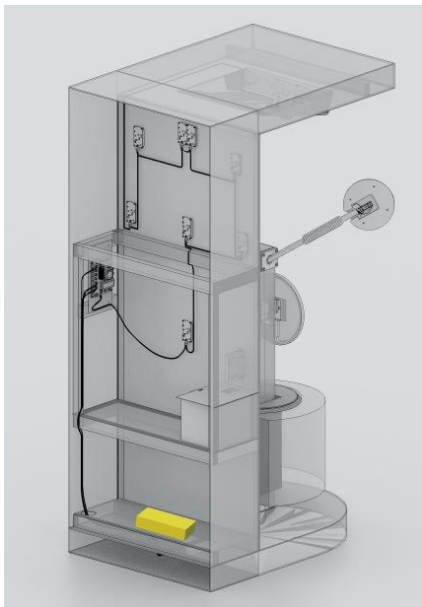
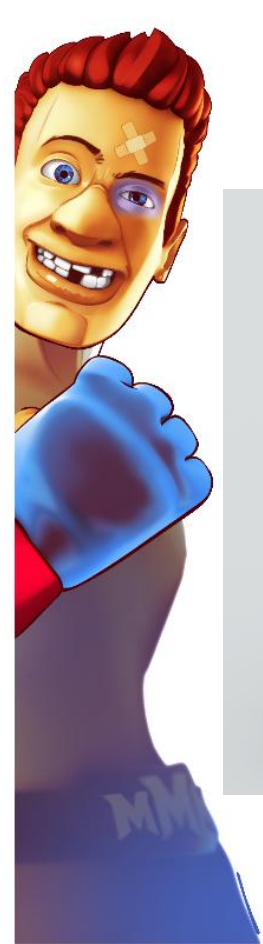


## 2. Internal components

TEST  
YOUR  
SPEED!

[serwis@ritter-polska.pl](mailto:serwis@ritter-polska.pl)



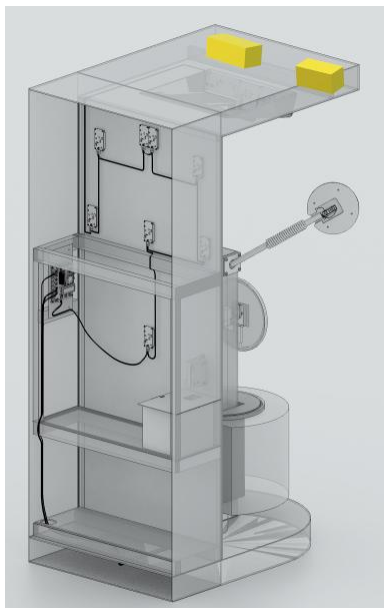
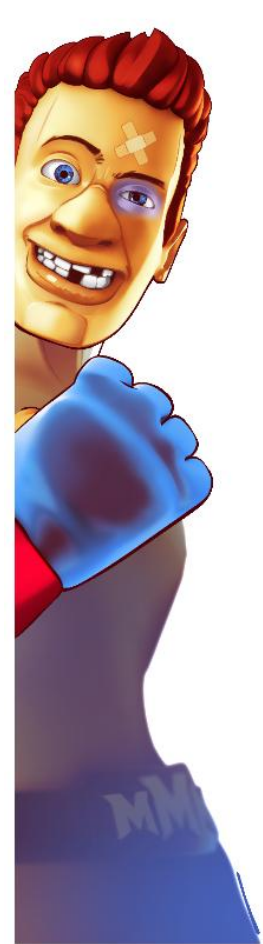


2.1 Power Supply 150W 12V\_35€

TEST  
Your  
SPEED!

serwis@ritter-polska.pl



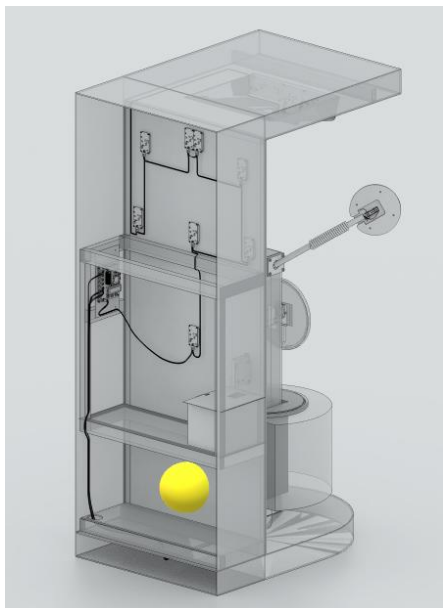


2.2 Speaker \_20€

TEST  
Your  
SPEED!

serwis@ritter-polska.pl





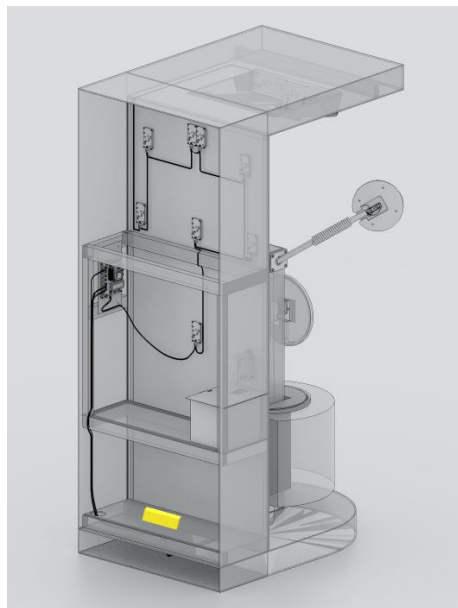
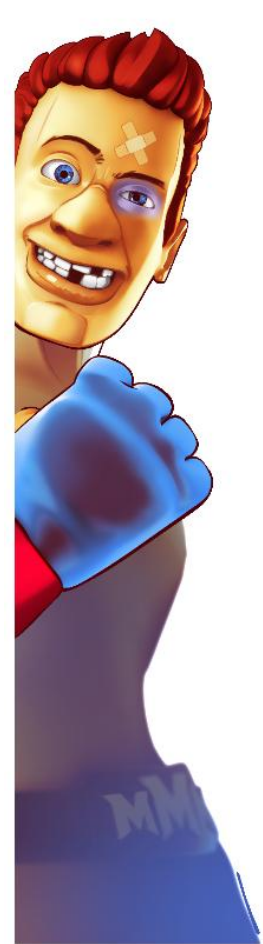
2.3 Speaker woofers \_20€

TEST  
Your  
SPEED!

serwis@ritter-polska.pl





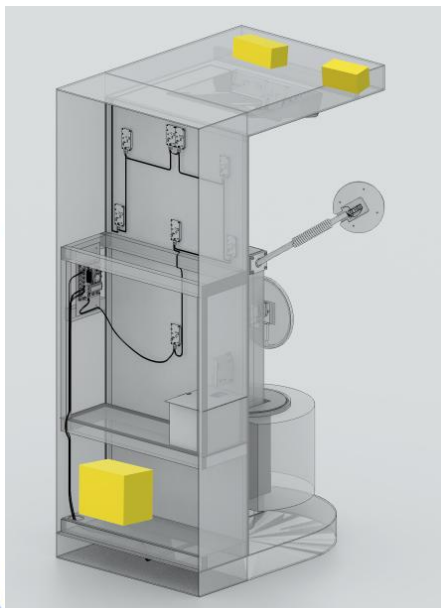
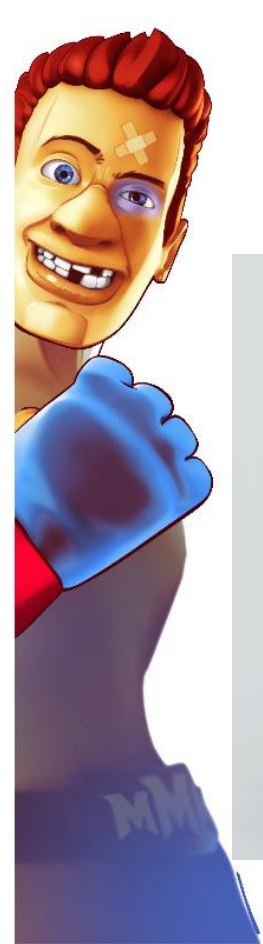


2.4 Sound amplifier \_50€

TEST  
Your  
SPEED!

[serwis@ritter-polska.pl](mailto:serwis@ritter-polska.pl)



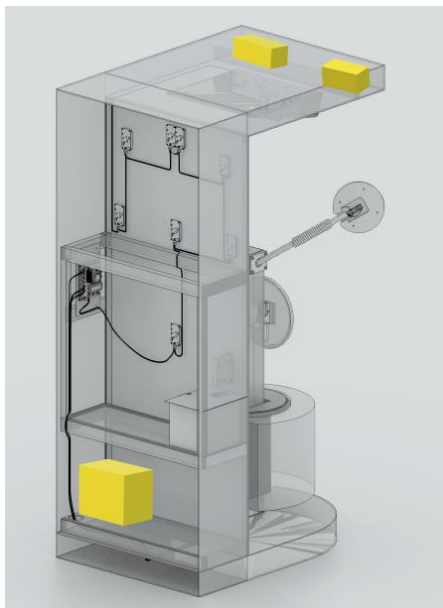
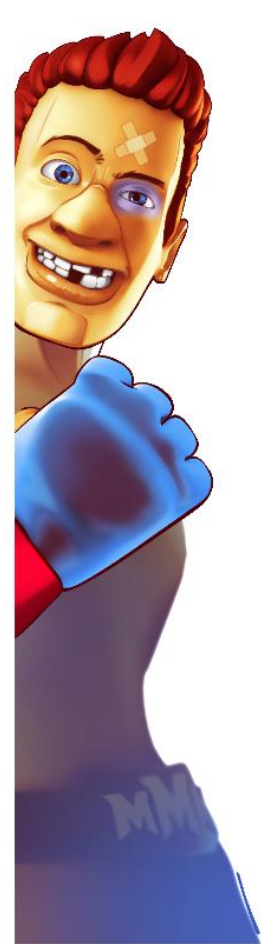


2.5 Logitech Z333\_50€

TEST  
Your  
SPEED!

serwis@ritter-polska.pl



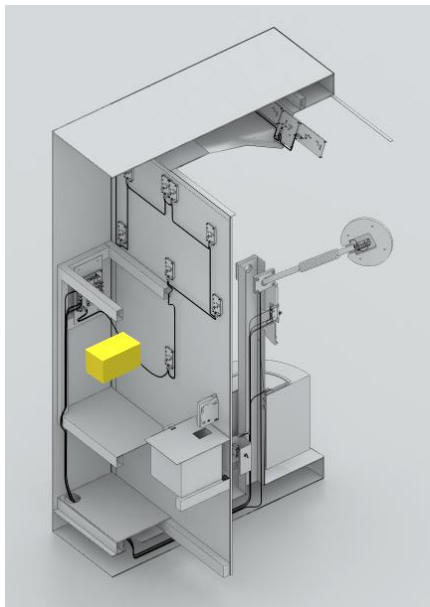
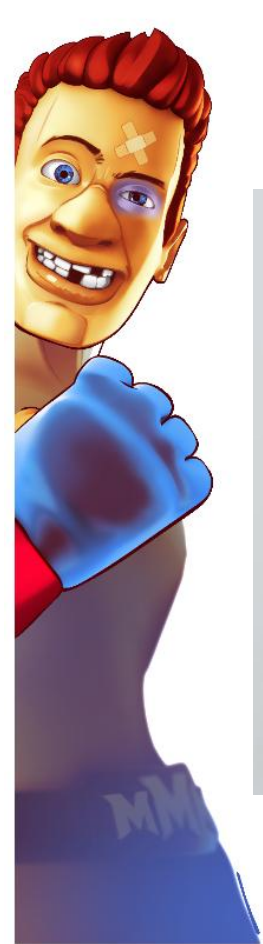


2.6 Creative A120\_50€

TEST  
Your  
SPEED!

serwis@ritter-polska.pl



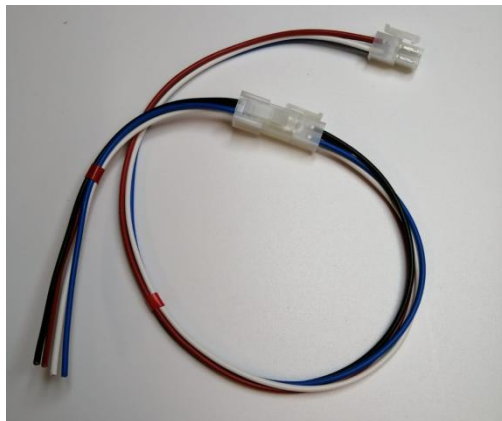
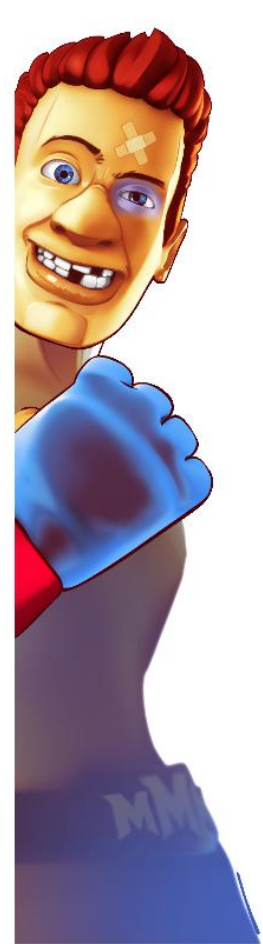


2.7 Entropy 2000\_140€

TEST  
Your  
SPEED!

serwis@ritter-polska.pl



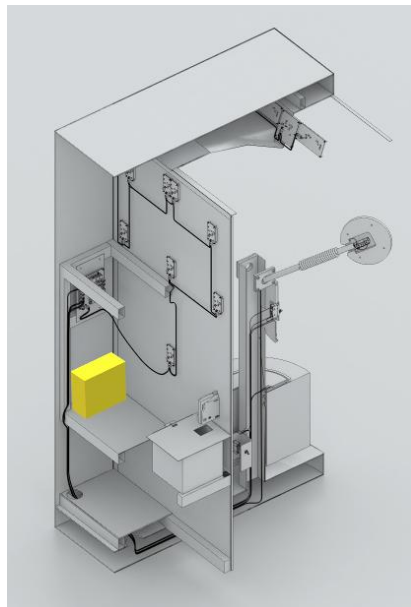
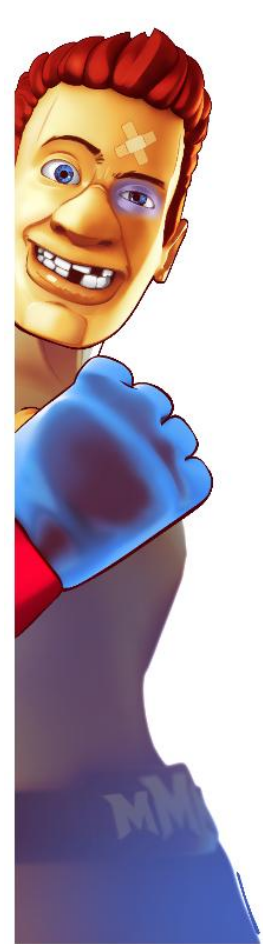


2.8 Cable for Entropy 2000\_5€

TEST  
Your  
SPEED!

serwis@ritter-polska.pl



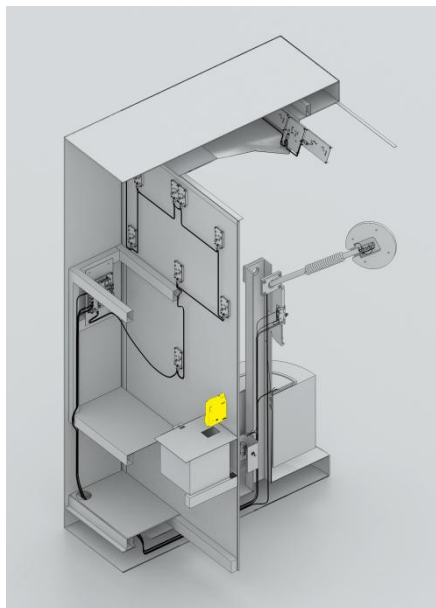
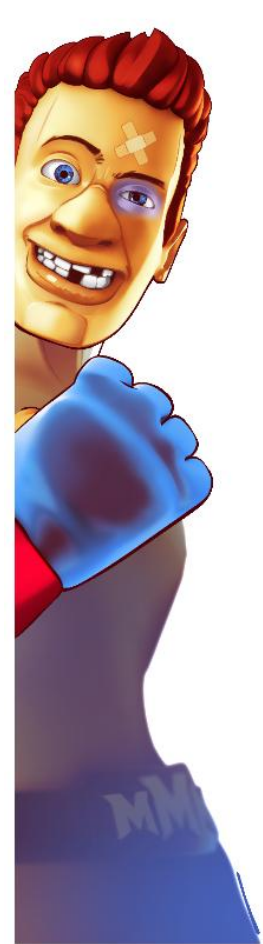


2.9 Ticket container\_10€

TEST  
Your  
SPEED!

serwis@ritter-polska.pl



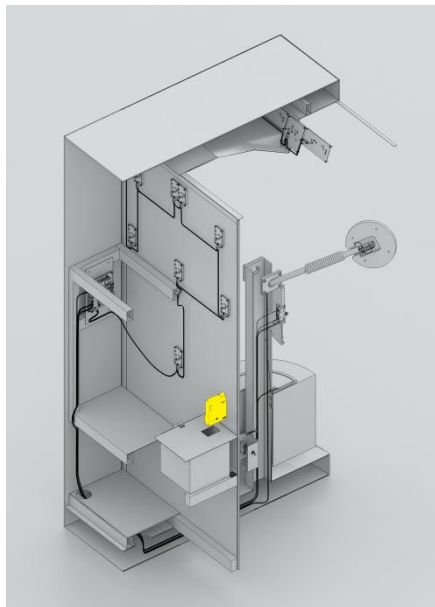


2.10 Coin acceptor RM5\_120€

TEST  
Your  
SPEED!

[serwis@ritter-polska.pl](mailto:serwis@ritter-polska.pl)





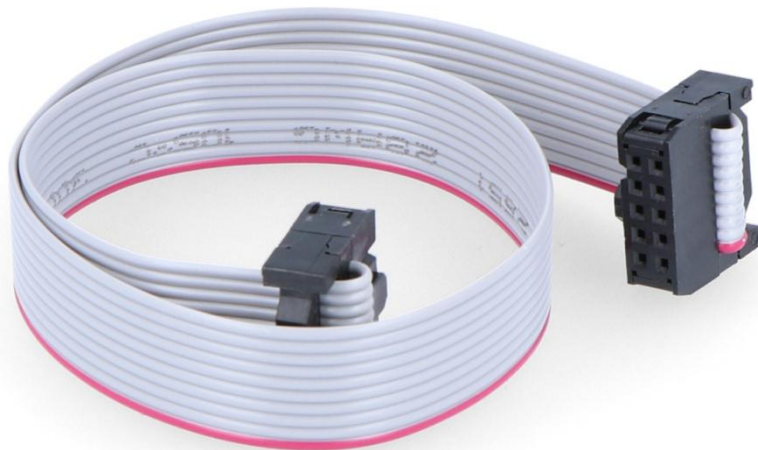
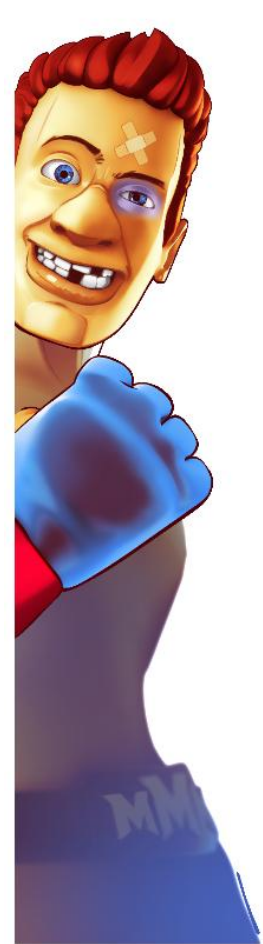
2.11 Coin acceptor Alberici\_120€

TEST  
Your  
SPEED!

serwis@ritter-polska.pl





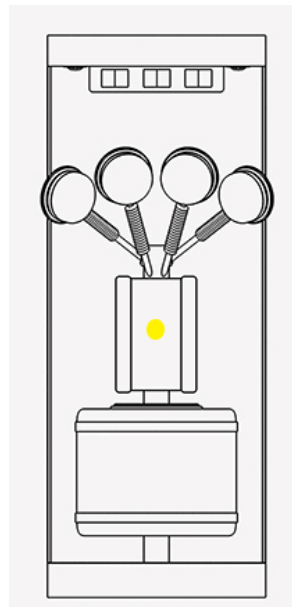
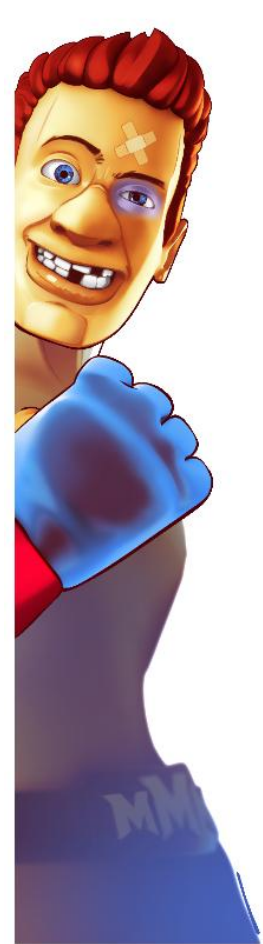


2.12 Cable for coin akceptor\_5€

TEST  
Your  
SPEED!

serwis@ritter-polska.pl



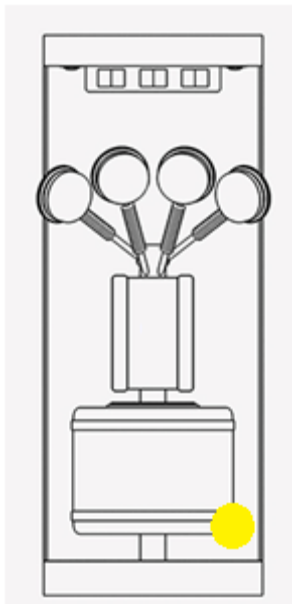


2.13 Start button\_12€

TEST  
Your  
SPEED!

serwis@ritter-polska.pl



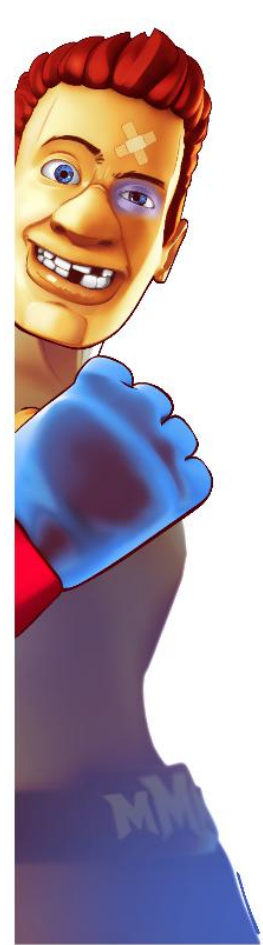


2.14 speaker grill\_7€

TEST  
Your  
SPEED!

serwis@ritter-polska.pl



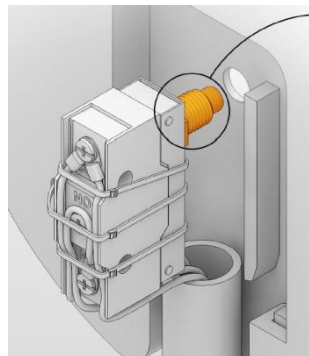
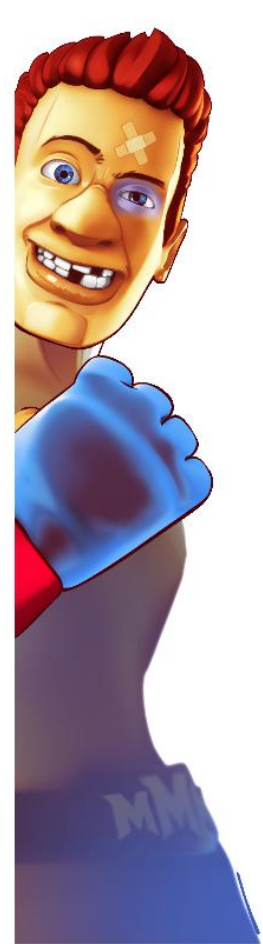


# 3. Impact pads

TEST  
Your  
SPEED!

[serwis@ritter-polska.pl](mailto:serwis@ritter-polska.pl)



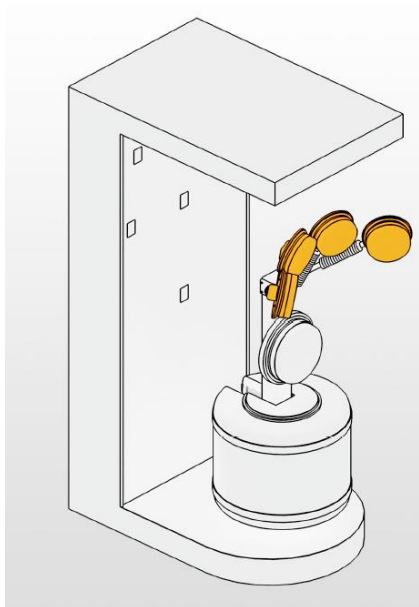
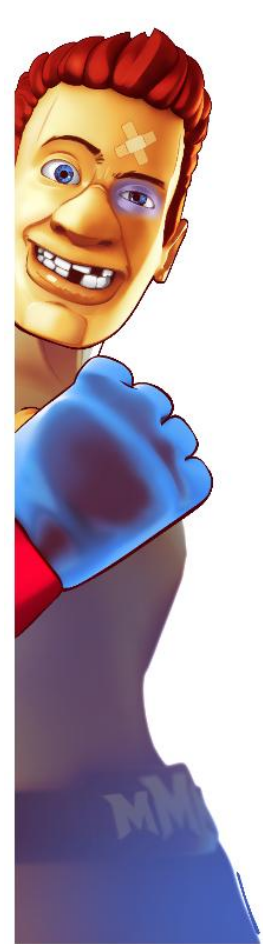


3.1 Impact pad sensor\_15€

TEST  
Your  
SPEED!

serwis@ritter-polska.pl



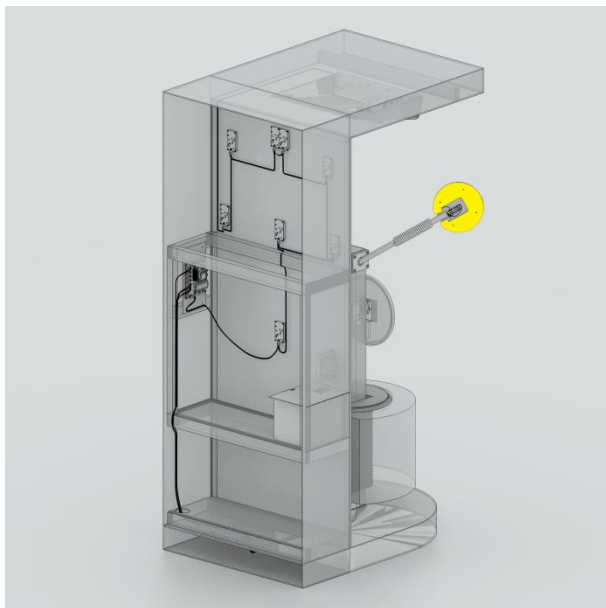
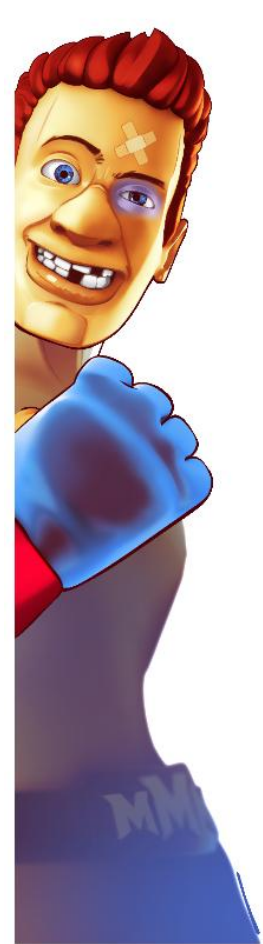


3.2 Upper impact pad \_36€

TEST  
Your  
SPEED!

serwis@ritter-polska.pl



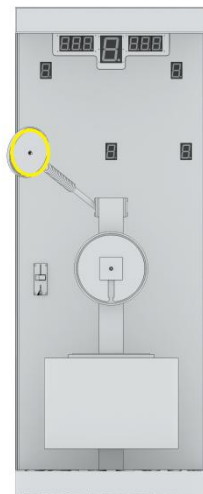


3.3 Upper plastic part with LED\_30€

TEST  
Your  
SPEED!

serwis@ritter-polska.pl





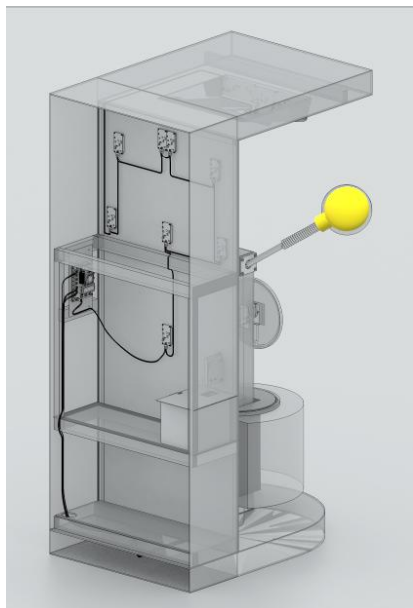
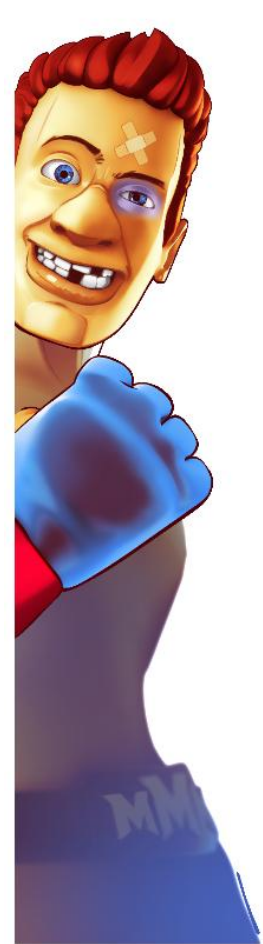
3.4 Top led strip\_10€

TEST  
Your  
SPEED!

serwis@ritter-polska.pl





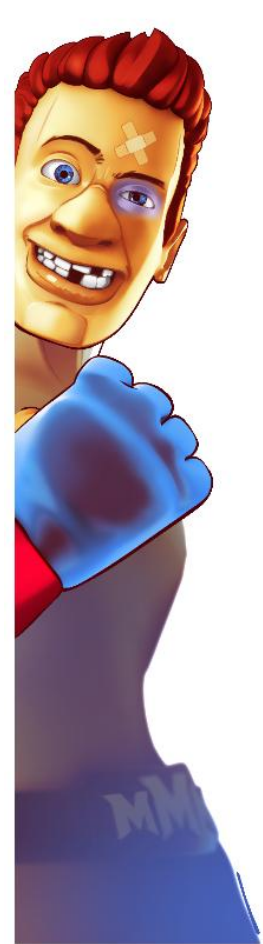


3.5 Cover upper impact pad \_5€

TEST  
Your  
SPEED!



serwis@ritter-polska.pl

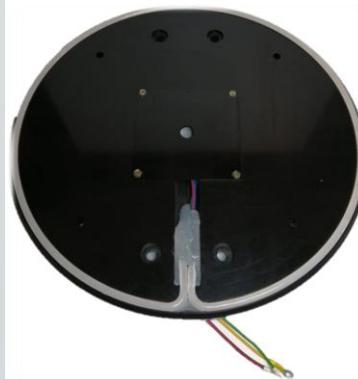
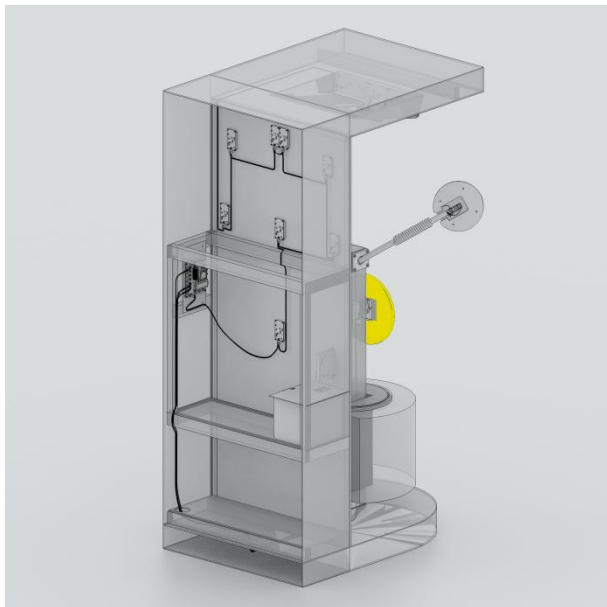
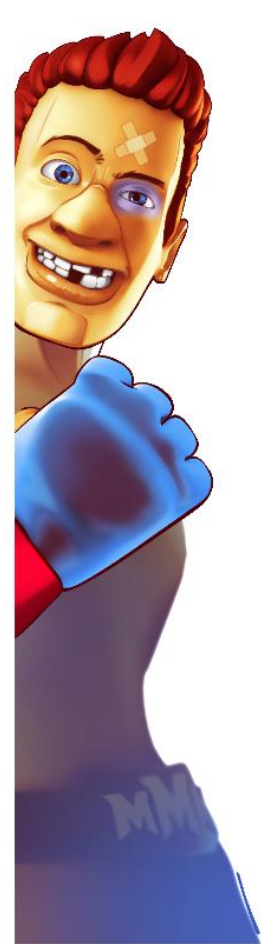


3.6 Middle impact pad \_30€

TEST  
Your  
SPEED!

serwis@ritter-polska.pl



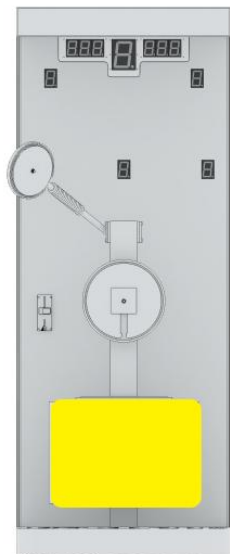
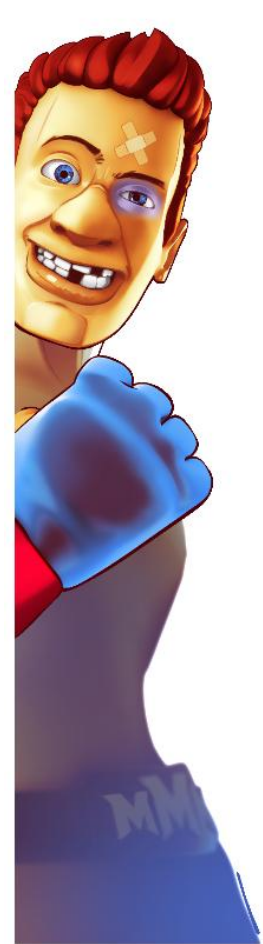


3.7 Middle plastic part with LED\_50€

TEST  
Your  
SPEED!

serwis@ritter-polska.pl



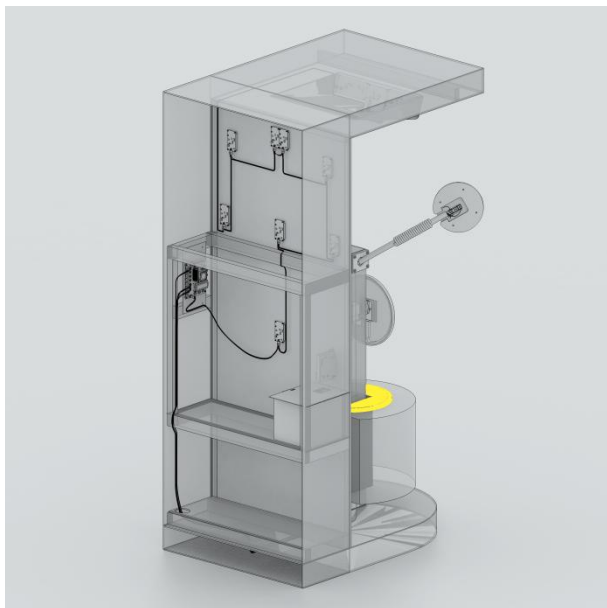
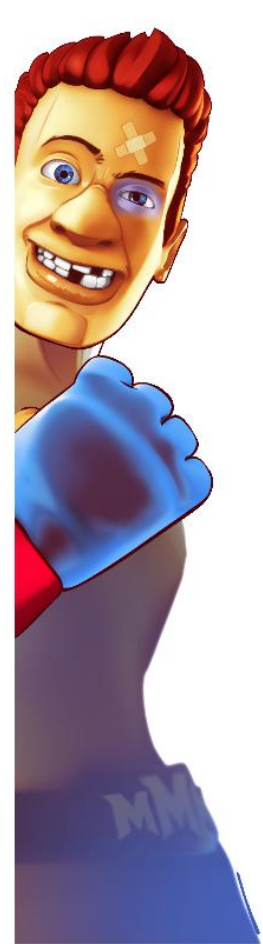


3.8 Bottom impact pad \_200€

TEST  
Your  
SPEED!

serwis@ritter-polska.pl



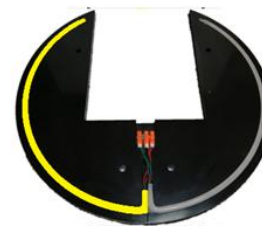
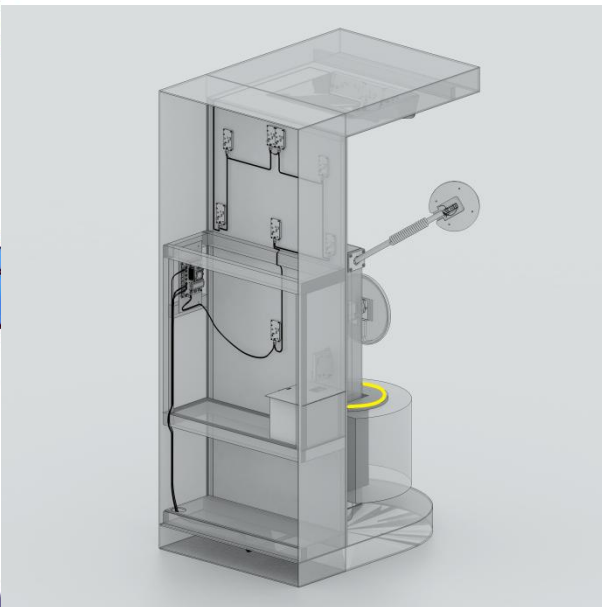
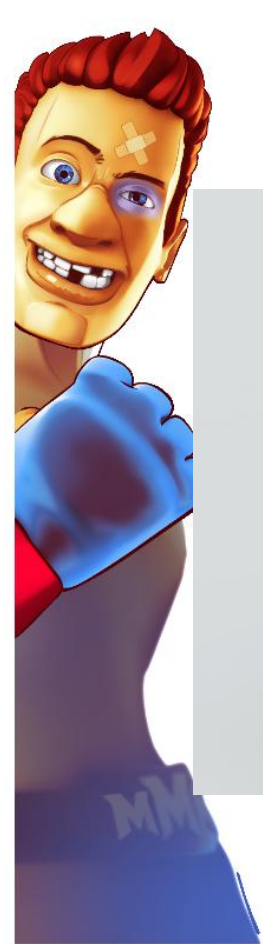


3.9 Bottom plastic part with LED\_50€

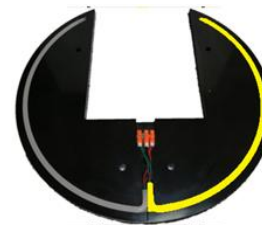
TEST  
Your  
SPEED!

serwis@ritter-polska.pl





or

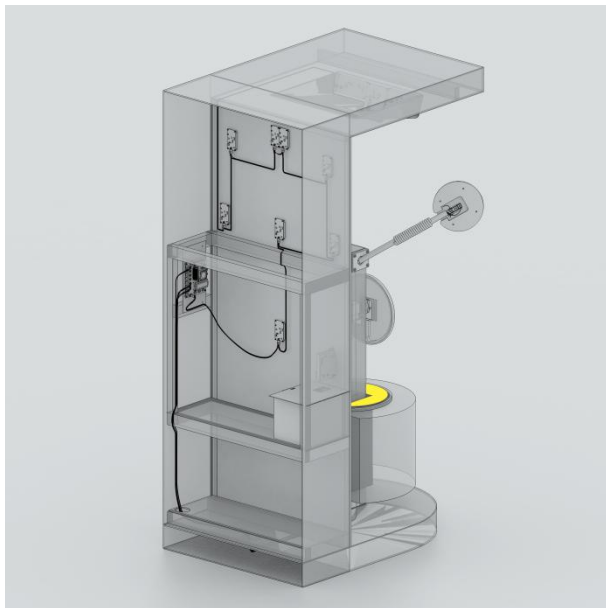
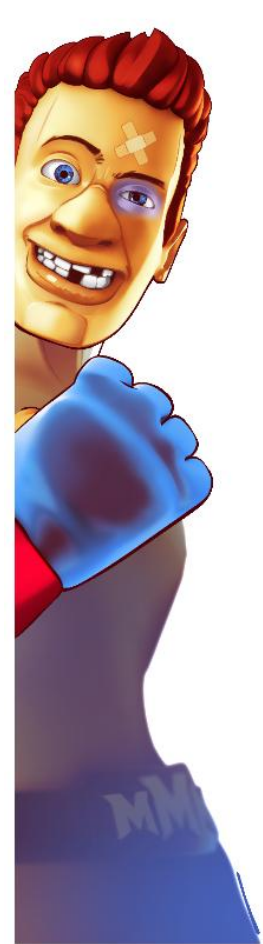


3.10 Bottom led strip\_7€

TEST  
Your  
SPEED!

serwis@ritter-polska.pl



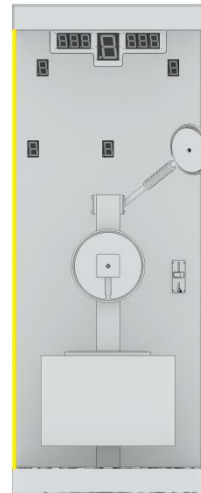
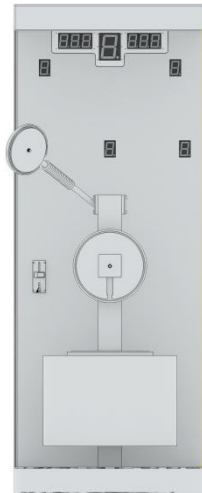


3.11 Cover bottom impact pad \_5€

TEST  
Your  
SPEED!

serwis@ritter-polska.pl





or

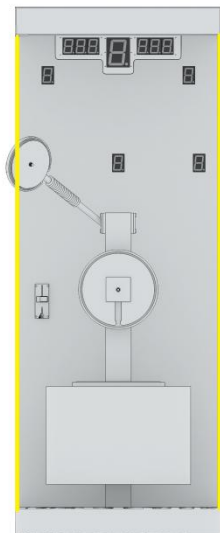
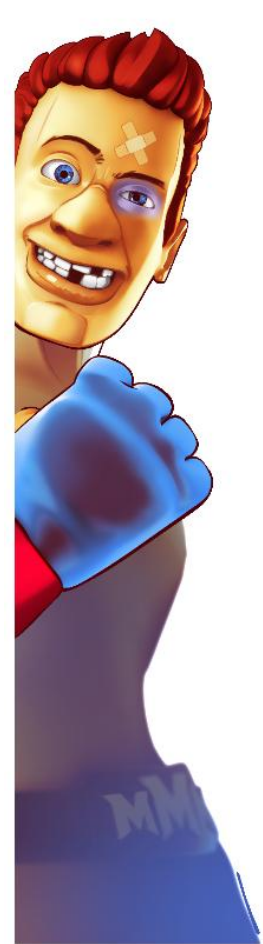
3.12 Side LED strip \_35€

TEST  
Your  
SPEED!

serwis@ritter-polska.pl





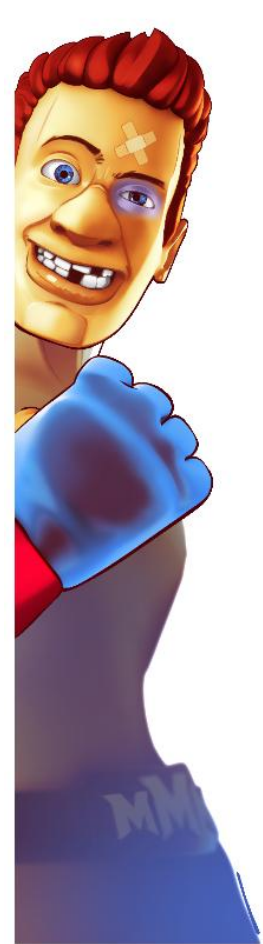


3.13 Controller LED\_10€

TEST  
Your  
SPEED!

serwis@ritter-polska.pl



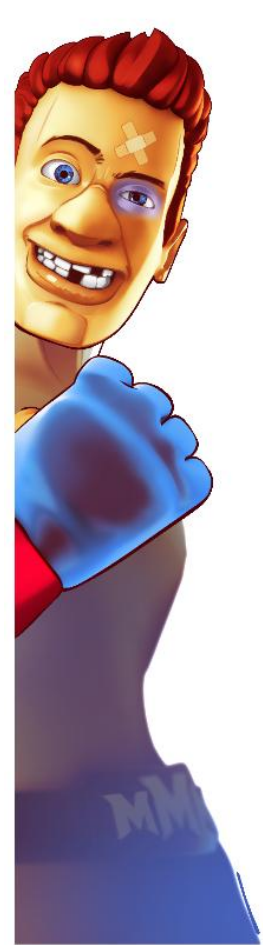


3.14 Top MMA\_45€

TEST  
Your  
SPEED!



serwis@ritter-polska.pl

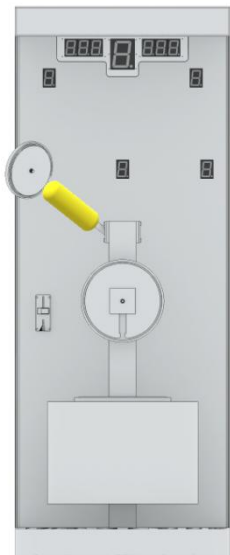
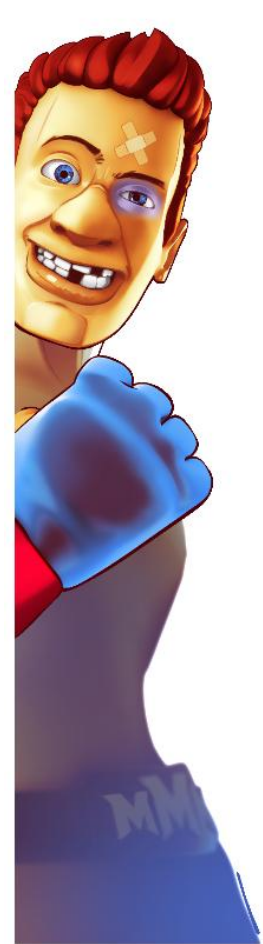


# 4. Protectors

TEST  
YOUR  
SPEED!

[serwis@ritter-polska.pl](mailto:serwis@ritter-polska.pl)



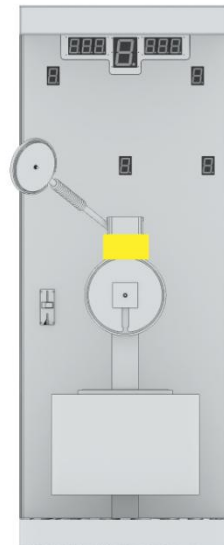
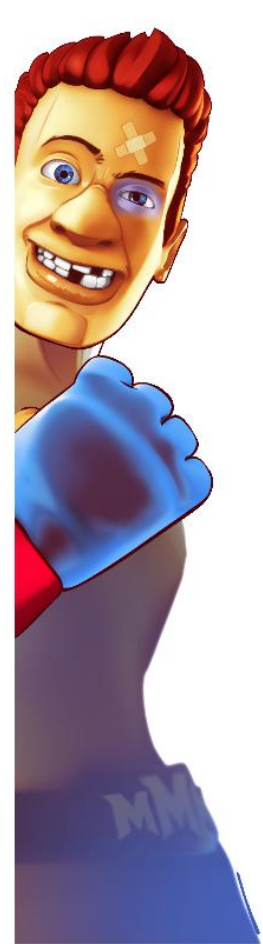


4.1 Upper protektor\_10€

TEST  
Your  
SPEED!

serwis@ritter-polska.pl



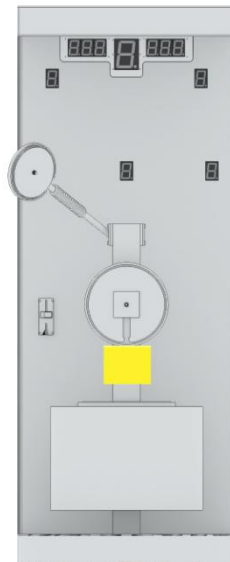
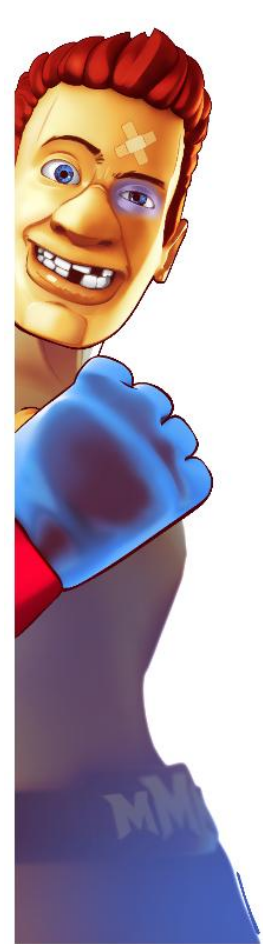


4.2 Top cover for pole\_10€

TEST  
Your  
SPEED!

serwis@ritter-polska.pl



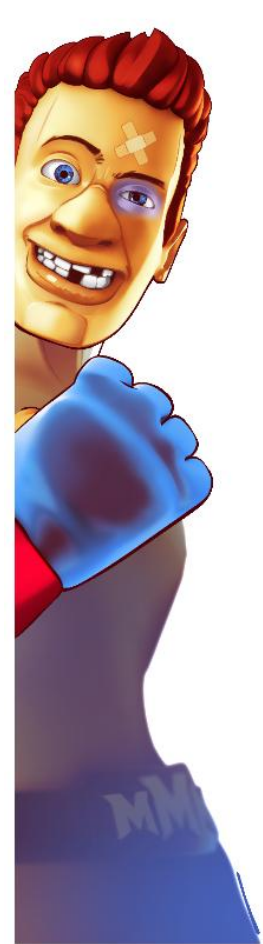


4.3 Bottom cover for pole\_10€

TEST  
Your  
SPEED!

serwis@ritter-polska.pl





4.4 MMA side cushion left or righth\_20€

TEST  
YOUR  
SPEED!



serwis@ritter-polska.pl



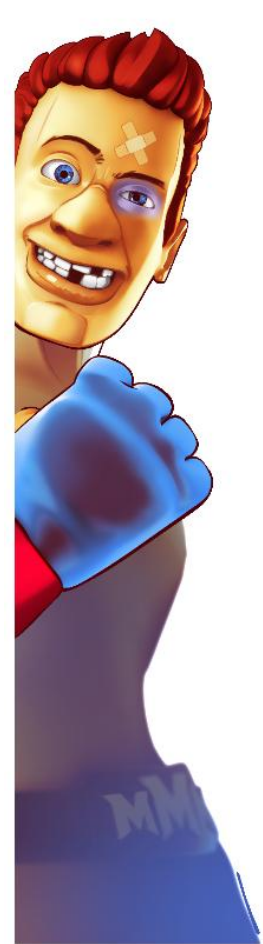
4.5 Front cover MMA (waterproof) \_75€

TEST  
Your  
SPEED!

serwis@ritter-polska.pl





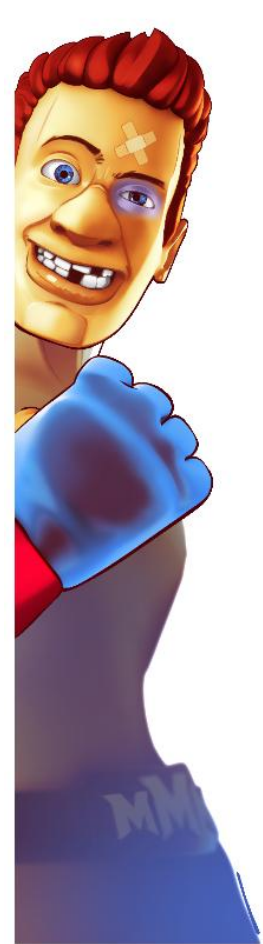


4.6 Set of covers MMA SLIM (waterproof)\_150€

TEST  
Your  
SPEED!

serwis@ritter-polska.pl



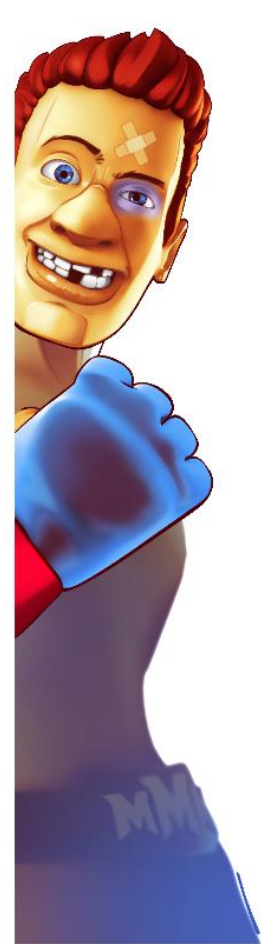


4.7 Front cover MMA SLIM (waterproof)\_75€

TEST  
Your  
SPEED!

serwis@ritter-polska.pl





4.8 Back cover MMA (waterproof)\_75€

TEST  
Your  
SPEED!

serwis@ritter-polska.pl



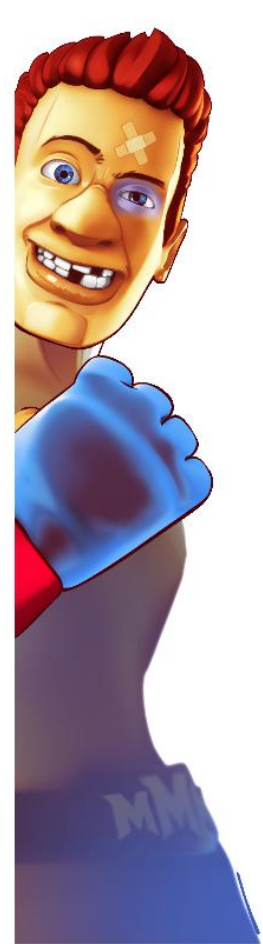


# 5. Stickers

TEST  
YOUR  
SPEED!

[serwis@ritter-polska.pl](mailto:serwis@ritter-polska.pl)



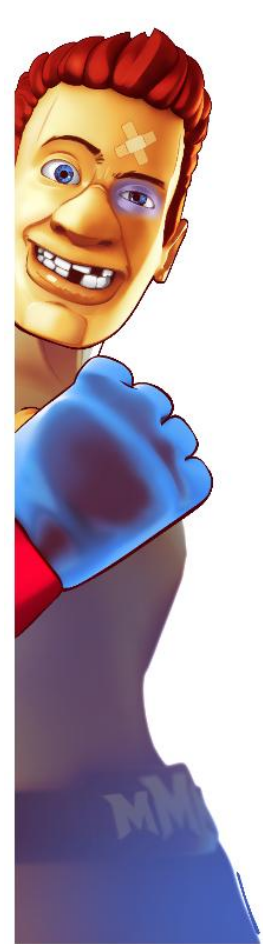


5.1 Side stickers\_100€

TEST  
YOUR  
SPEED!



serwis@ritter-polska.pl



5.2 Side stickers \_100€

TEST  
YOUR  
SPEED!

[serwis@ritter-polska.pl](mailto:serwis@ritter-polska.pl)





### 5.3 Information stickers\_5€

TEST  
Your  
SPEED!

serwis@ritter-polska.pl

