



Spare parts price list

TEST YOUR SPEED



PPHU „Ritter” Rycerz Michał

Ul. Rudzka 13B
44-240 Żory

serwis@ritter-polska.pl
NIP:6511661504

1. Elektronics.....	6
2. Internal components.....	13
3. Impact pads.....	28
4. Protectors.....	43
5. Stickers	52



TEST
YOUR
SPEED!

serwis@ritter-polska.pl



1.1 Main board JB5_500€	7
1.2 Display JB5 1x2,3”_30€	8
1.3 Display JB5 0,56”_25€	9
1.4 Display 3x2,3”_40€	10
1.5 Display 1x4”_40€	11
1.6 Interface_10€	12
2.1 Power Supply LRS-150-12 150W 12V 12,5A_35€.....	14
2.2 Speaker 165mm 150W_20€	15
2.3 Speaker woofer 165mm 140W_20€	16
2.4 Sound amplifier _50€.....	17
2.5 Logitech Z333_50€.....	18
2.6 Creative A120_50€.....	19
2.7 Entropy 2000_140€	20
2.8 Cable for Entropy 2000_5€.....	21
2.9 Ticket container_10€	22
2.10 Coin acceptor RM5_120€.....	23



TEST
Your
SPEED!

serwis@ritter-polska.pl



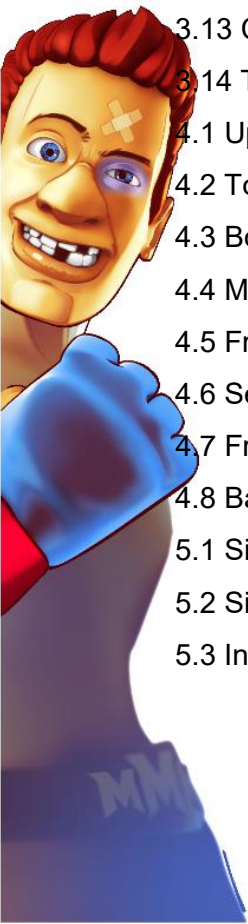
2.11 Coin acceptor Alberici_120€.....	24
2.12 Cable for coin akceptor_5€.....	25
2.13 Start button_12€.....	26
2.14 speaker grill_7€.....	27
3.1 Impact pad sensor_15€.....	29
3.2 Upper impact pad_36€.....	30
3.3 Upper plastic part with LED_30€.....	31
3.4 Top led strip_10€.....	32
3.5 Cover upper impact pad_5€.....	33
3.6 Middle impact pad_30€.....	34
3.7 Middle plastic part with LED_50€.....	35
3.8 Bottom impact pad_200€.....	36
3.9 Bottom plastic part with LED_50€.....	37
3.10 Bottom led strip_7€.....	38
3.11 Cover bottom impact pad_5€.....	39
3.12 Side LED strip_35€.....	40



TEST
Your
SPEED!

serwis@ritter-polska.pl





3.13 Controller LED_ 10€.....	41
3.14 Top MMA_ 45€.....	42
4.1 Upper protektor_ 5€.....	44
4.2 Top cover for pole_ 5€.....	45
4.3 Bottom cover for pole_ 5€.....	46
4.4 MMA side cushion left or righth_ 15€.....	47
4.5 Front cover MMA (waterproof)_ 75€.....	48
4.6 Set of covers MMA SLIM (waterproof)_ 150€.....	49
4.7 Front cover MMA SLIM (waterproof)_ 75€.....	50
4.8 Back cover MMA (waterproof)_ 75€.....	51
5.1 Side stickers_ 100€.....	53
5.2 Side stickers _ 100€.....	54
5.3 Information stickers_ 5€.....	55

TEST
Your
SPEED!

serwis@ritter-polska.pl



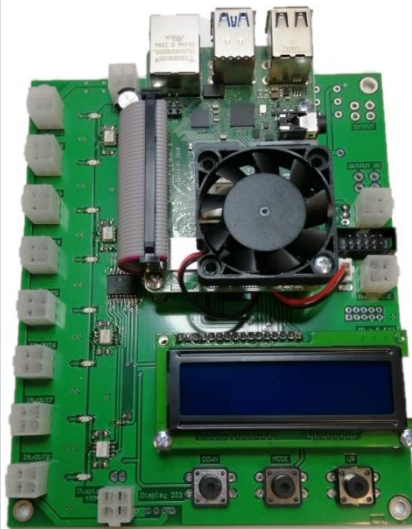
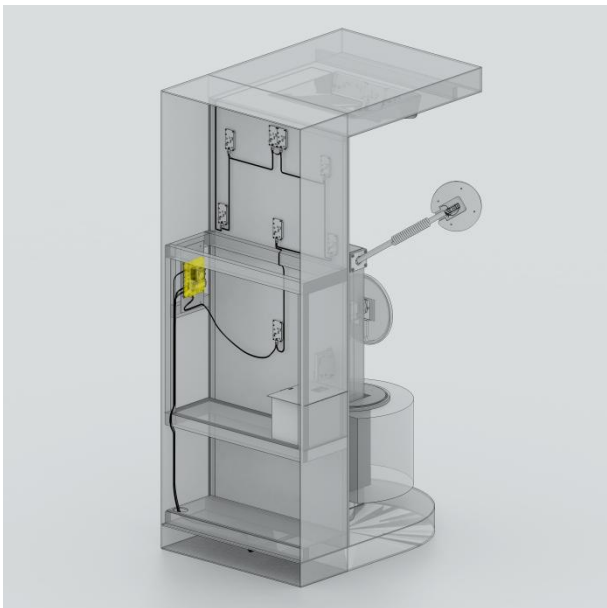
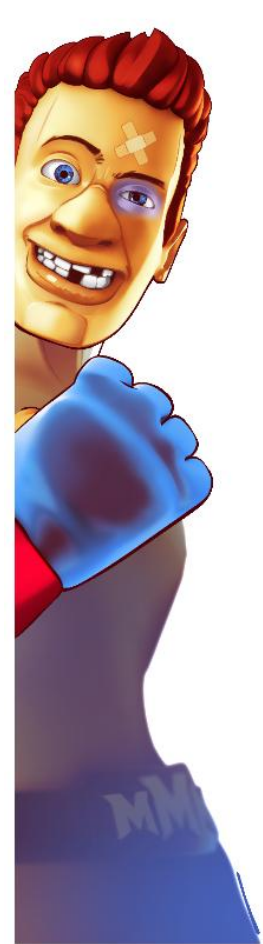


1. Elektronics

TEST
YOUR
SPEED!

serwis@ritter-polska.pl



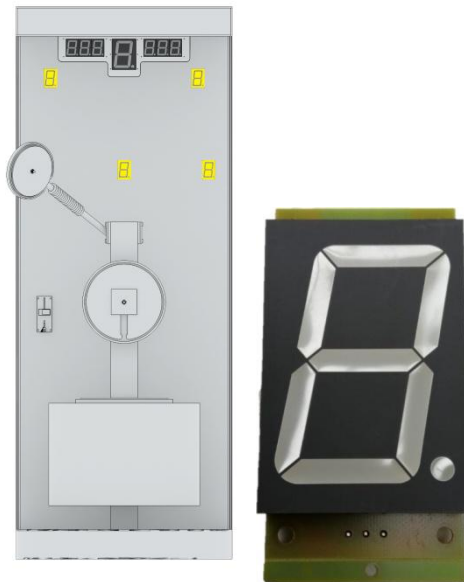


1.1 Main board JB5_500€

TEST
Your
SPEED!

serwis@ritter-polska.pl



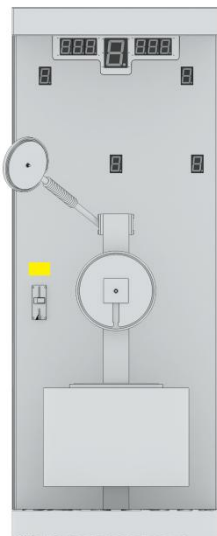
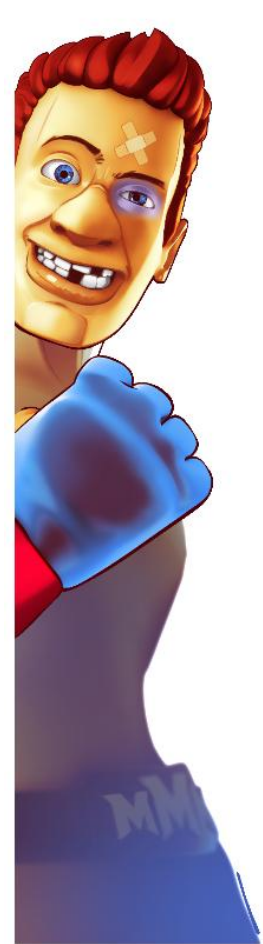


1.2 Display JB5 1x2,3''_30€

TEST
Your
SPEED!

serwis@ritter-polska.pl



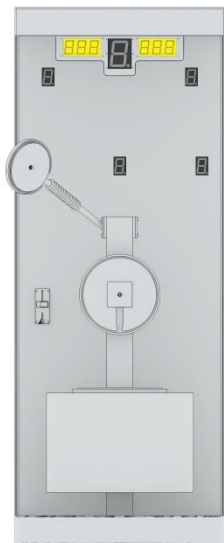
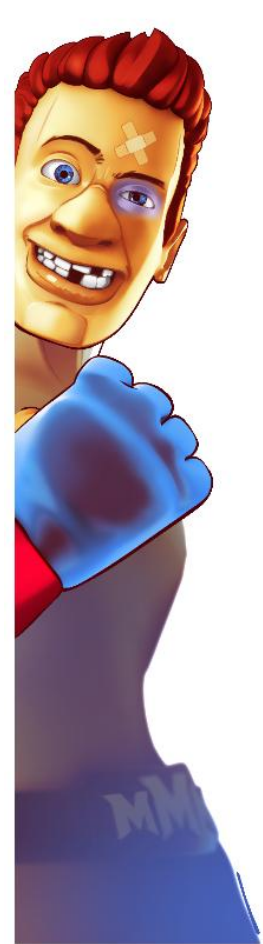


1.3 Display JB5 0,56" _25€

TEST
Your
SPEED!

serwis@ritter-polska.pl



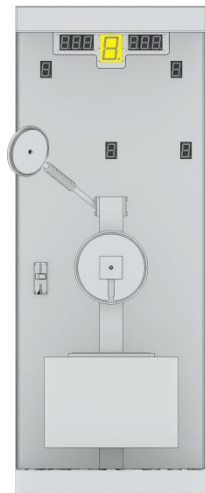
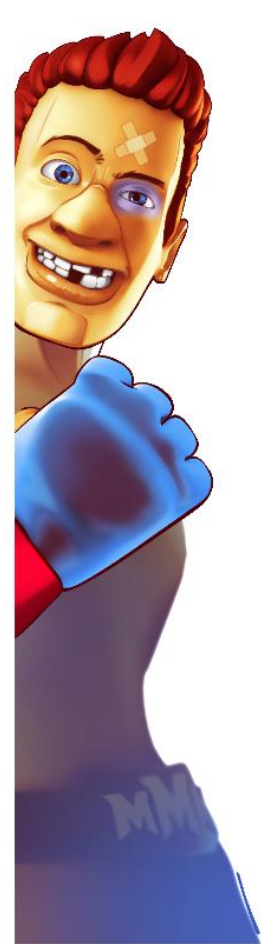


1.4 Display 3x2,3" _40€

TEST
Your
SPEED!

serwis@ritter-polska.pl



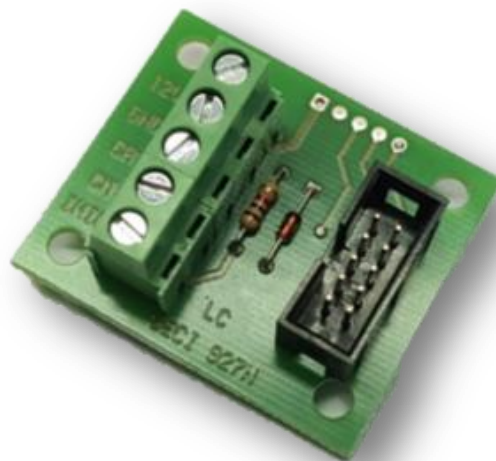
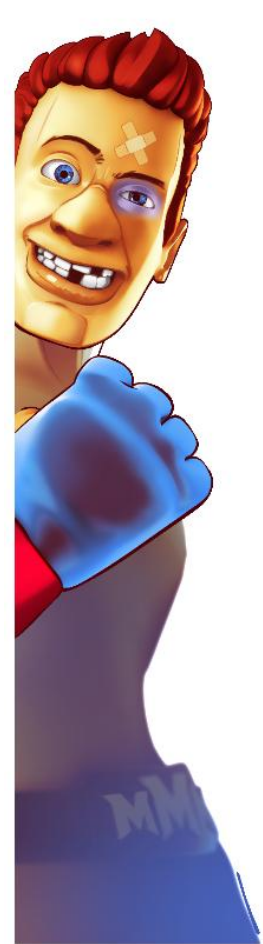


1.5 Display 1x4''_40€

TEST
Your
SPEED!

serwis@ritter-polska.pl



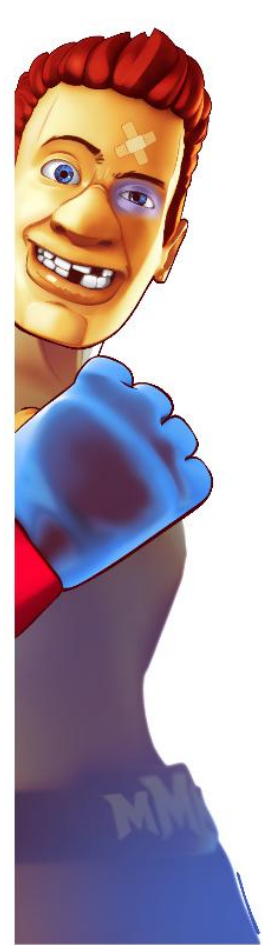


1.6 Interface_10€

TEST
Your
SPEED!

serwis@ritter-polska.pl



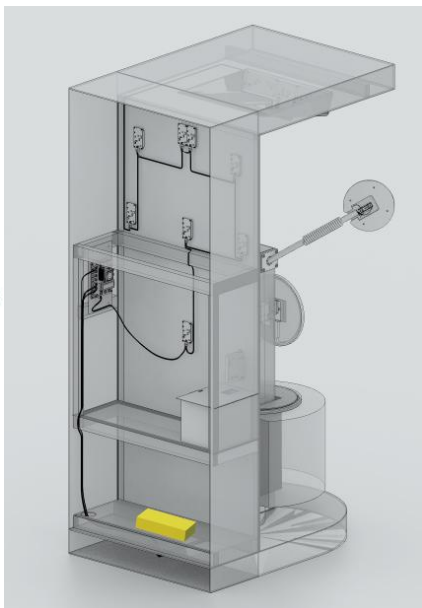
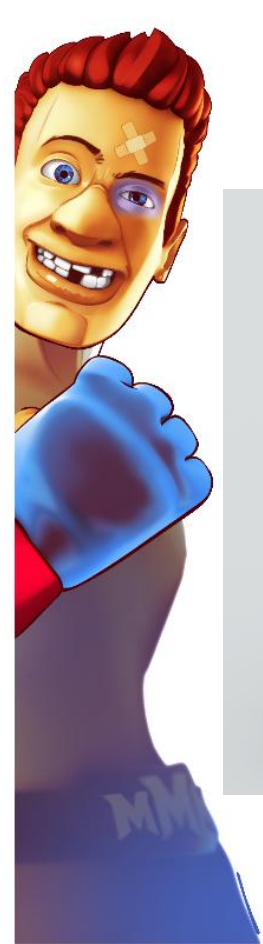


2. Internal components

TEST
YOUR
SPEED!

serwis@ritter-polska.pl



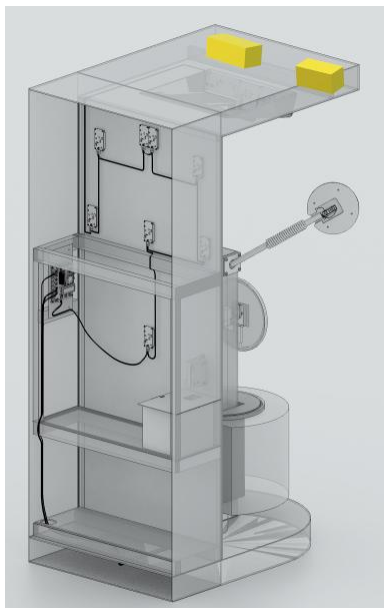
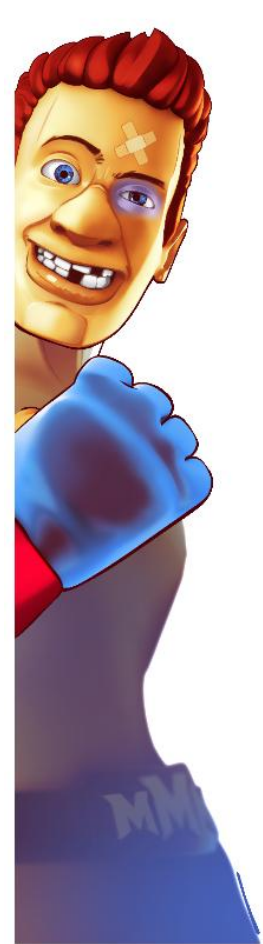


2.1 Power Supply LRS-150-12 150W 12V 12,5A_35€

TEST
Your
SPEED!

serwis@ritter-polska.pl



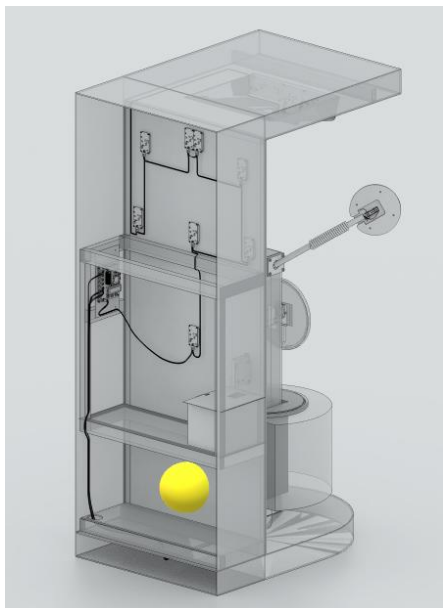


2.2 Speaker 165mm 150W_20€

TEST
Your
SPEED!

serwis@ritter-polska.pl



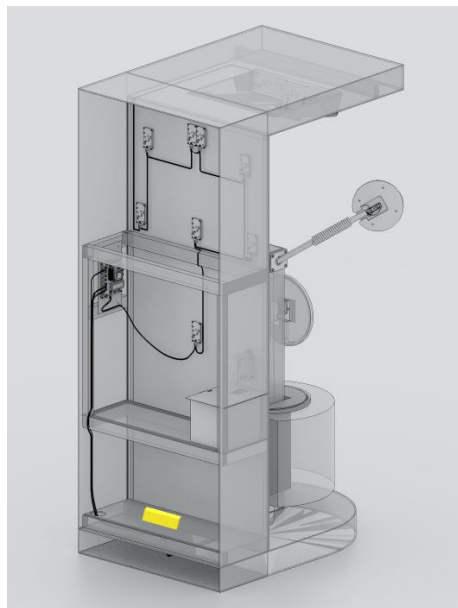
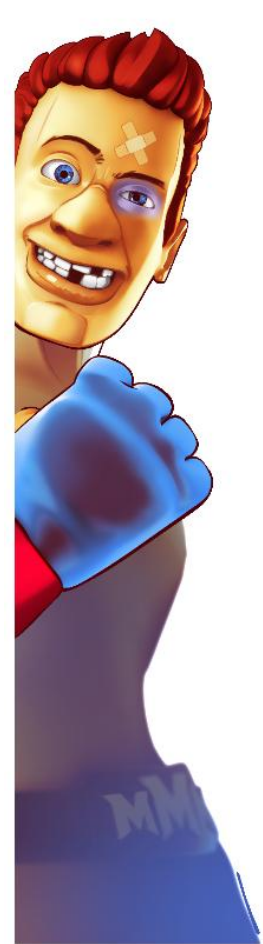


2.3 Speaker woofer 165mm 140W_20€

TEST
Your
SPEED!

serwis@ritter-polska.pl



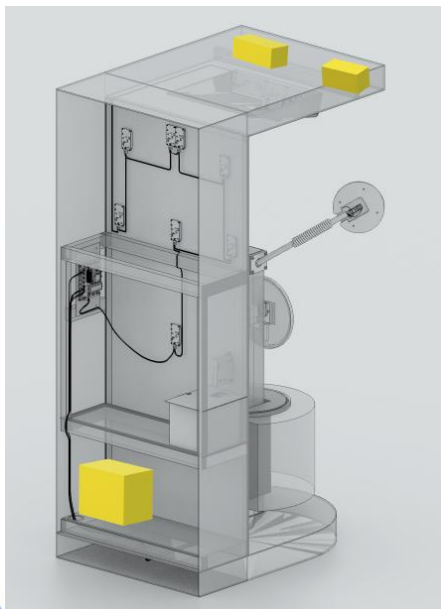
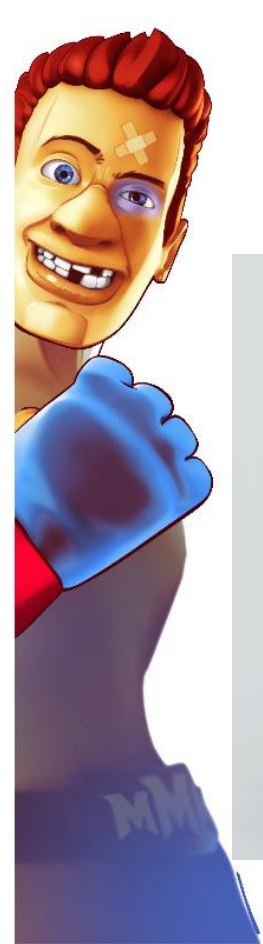


2.4 Sound amplifier _50€

TEST
Your
SPEED!

serwis@ritter-polska.pl



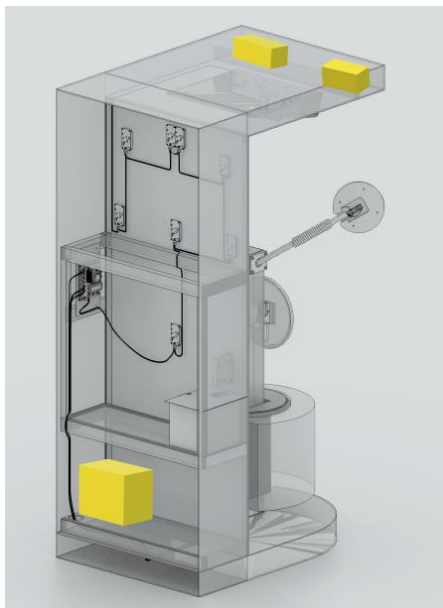
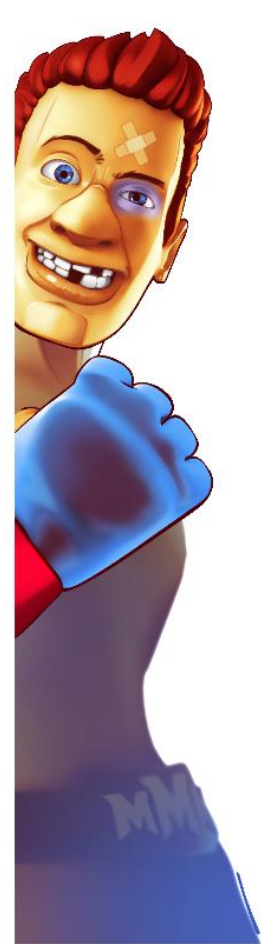


2.5 Logitech Z333_50€

TEST
Your
SPEED!

serwis@ritter-polska.pl



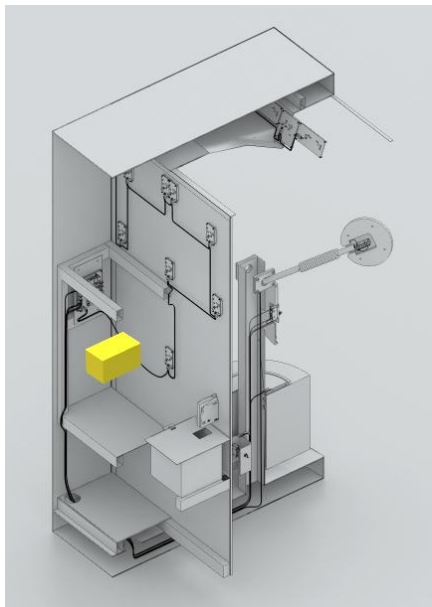
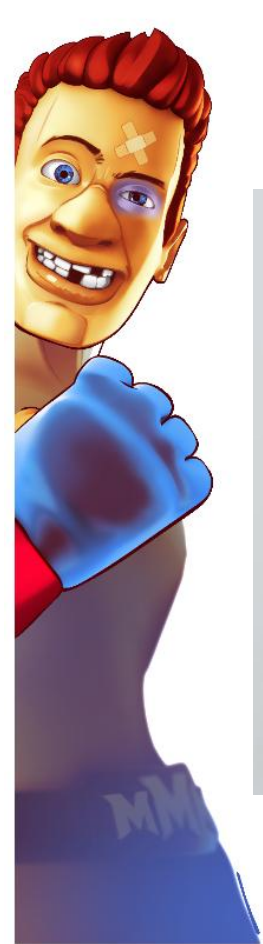


2.6 Creative A120_50€

TEST
Your
SPEED!

serwis@ritter-polska.pl



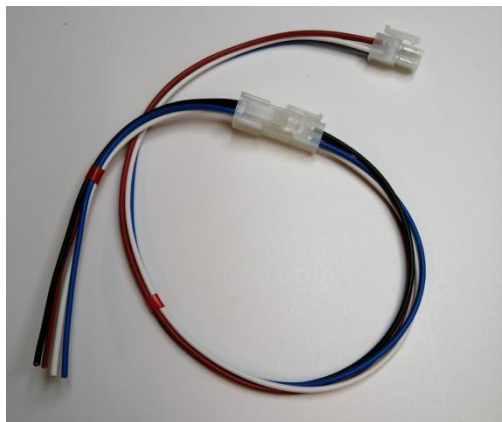
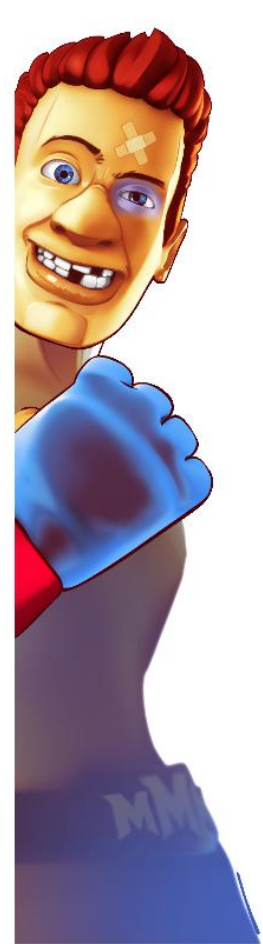


2.7 Entropy 2000_140€

TEST
Your
SPEED!

serwis@ritter-polska.pl



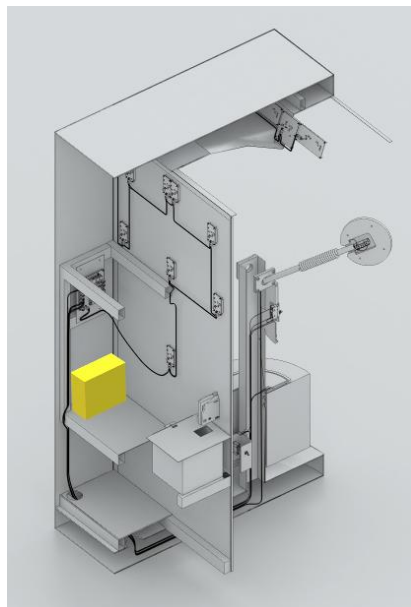
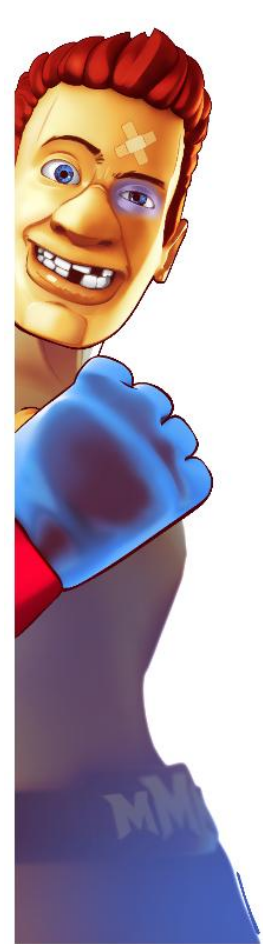


2.8 Cable for Entropy 2000_5€

TEST
Your
SPEED!

serwis@ritter-polska.pl



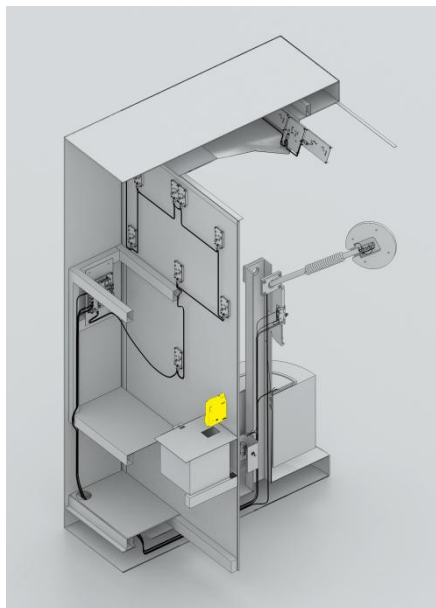
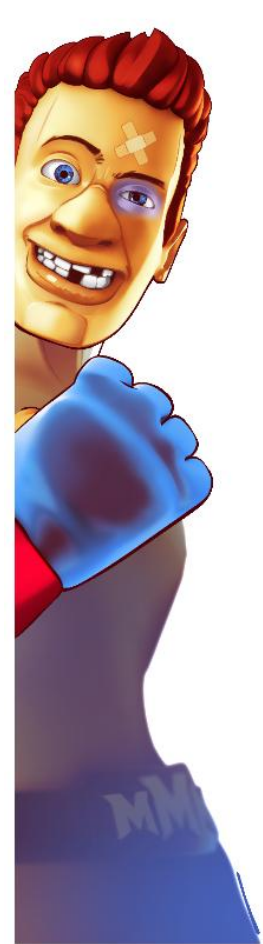


2.9 Ticket container_10€

TEST
Your
SPEED!

serwis@ritter-polska.pl



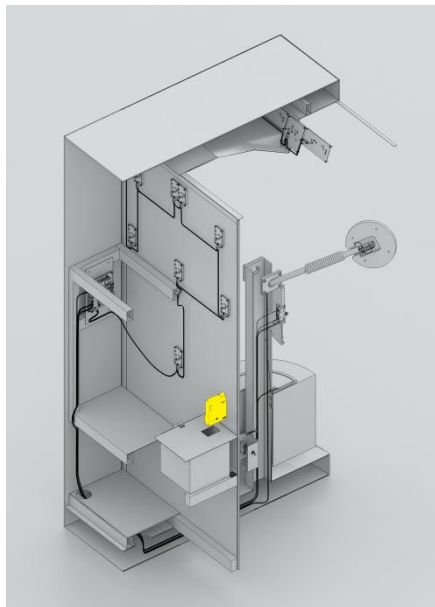


2.10 Coin acceptor RM5_120€

TEST
Your
SPEED!

serwis@ritter-polska.pl



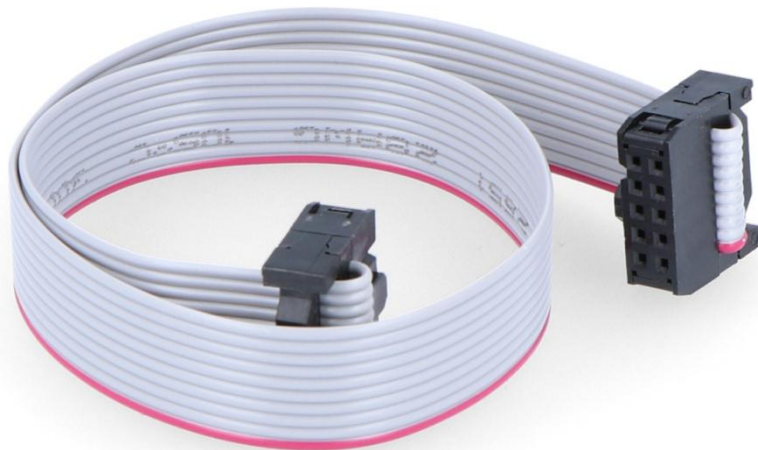
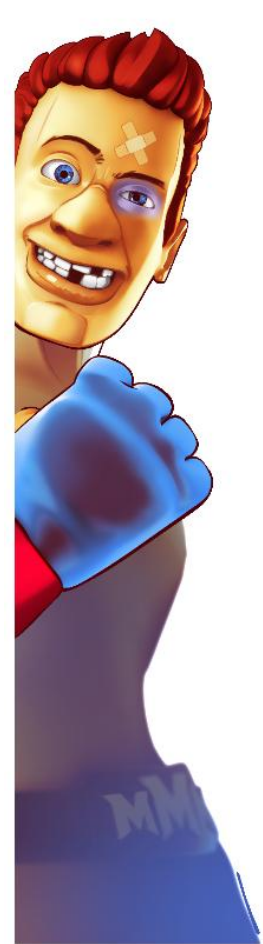


2.11 Coin acceptor Alberici_120€

TEST
Your
SPEED!

serwis@ritter-polska.pl



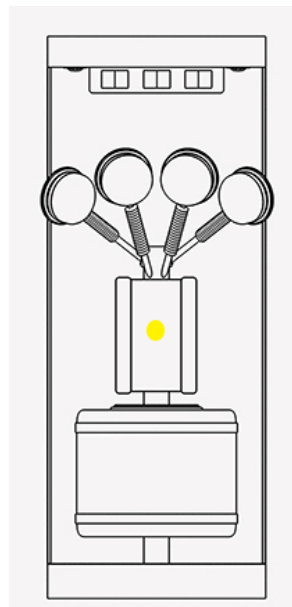
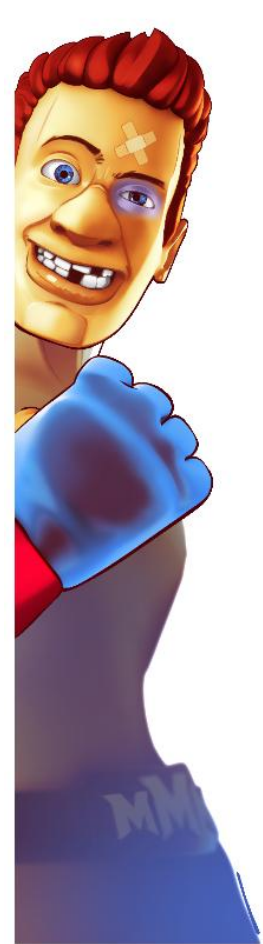


2.12 Cable for coin akceptor_5€

TEST
Your
SPEED!

serwis@ritter-polska.pl



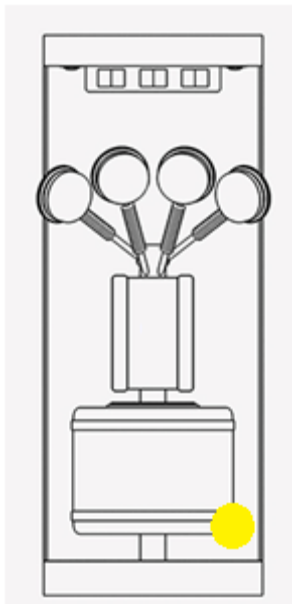


2.13 Start button_12€

TEST
Your
SPEED!

serwis@ritter-polska.pl



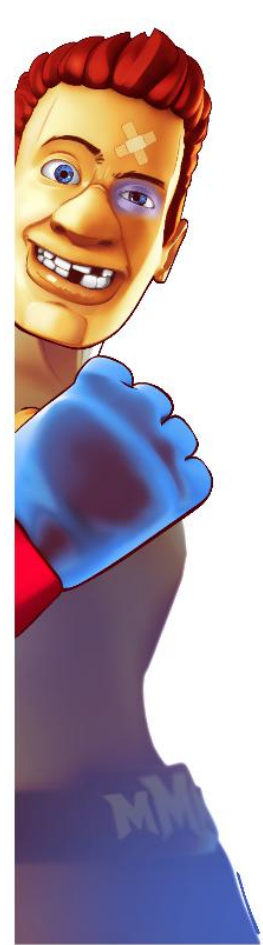


2.14 speaker grill_7€

TEST
Your
SPEED!

serwis@ritter-polska.pl



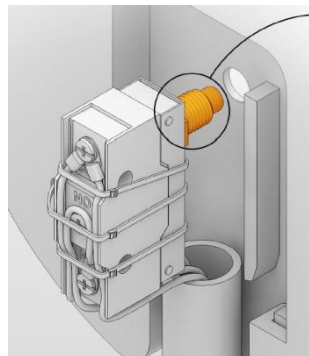
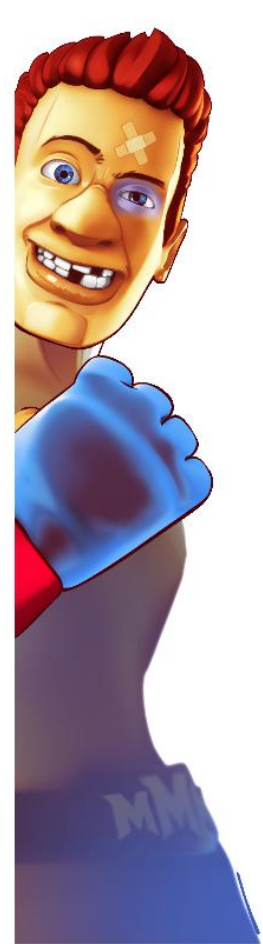


3. Impact pads

TEST
Your
SPEED!

serwis@ritter-polska.pl



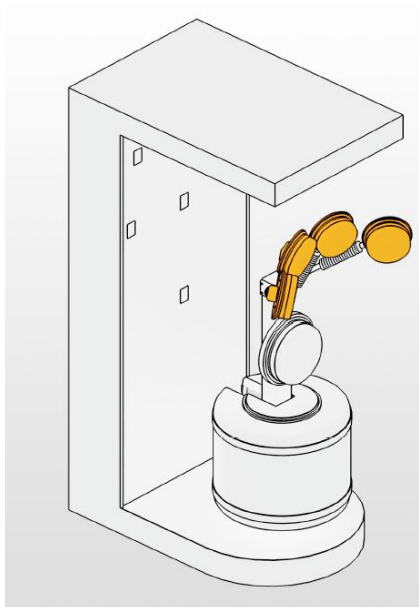
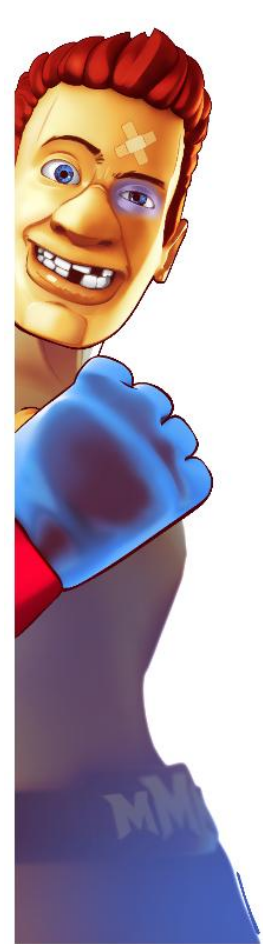


3.1 Impact pad sensor_15€

TEST
Your
SPEED!

serwis@ritter-polska.pl



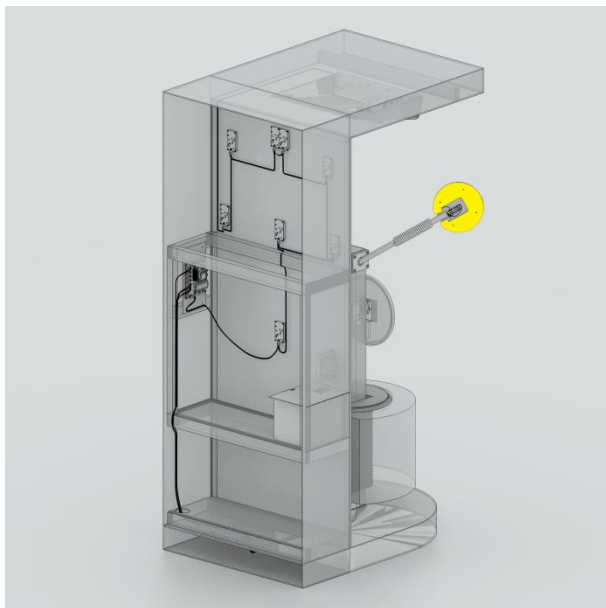
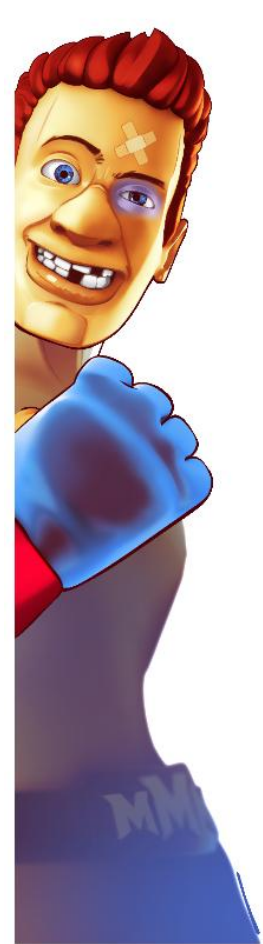


3.2 Upper impact pad _36€

TEST
Your
SPEED!

serwis@ritter-polska.pl



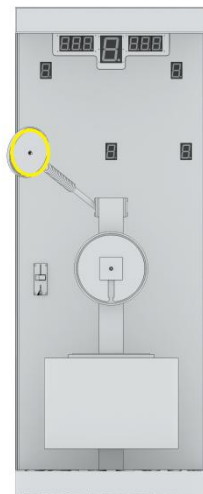


3.3 Upper plastic part with LED_30€

TEST
Your
SPEED!

serwis@ritter-polska.pl



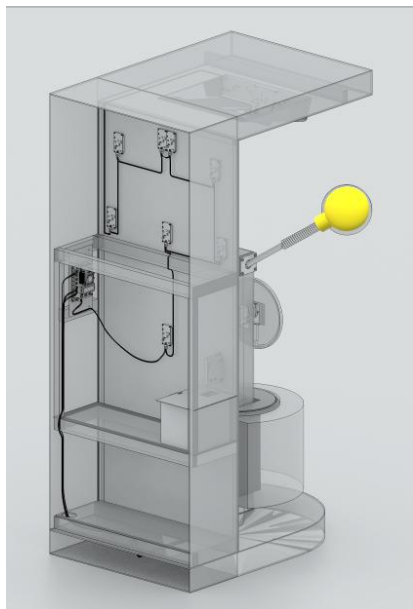
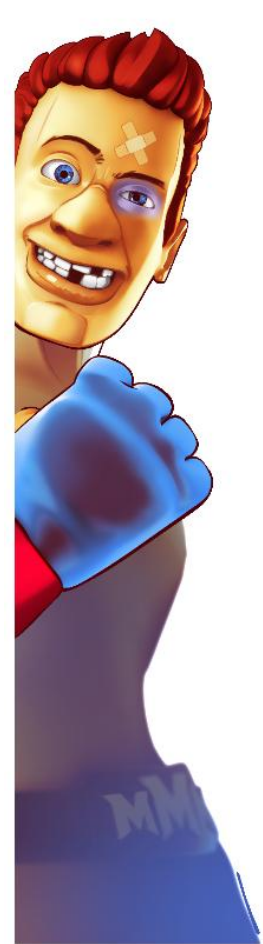


3.4 Top led strip_10€

TEST
Your
SPEED!

serwis@ritter-polska.pl



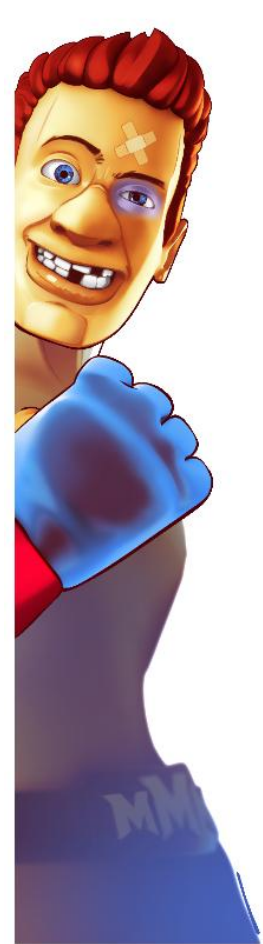


3.5 Cover upper impact pad _5€

TEST
Your
SPEED!

serwis@ritter-polska.pl



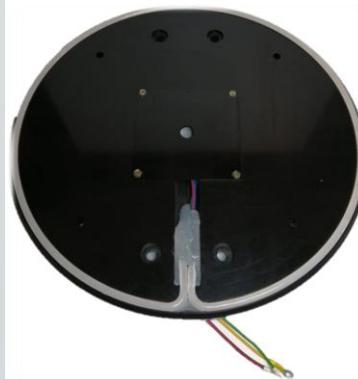
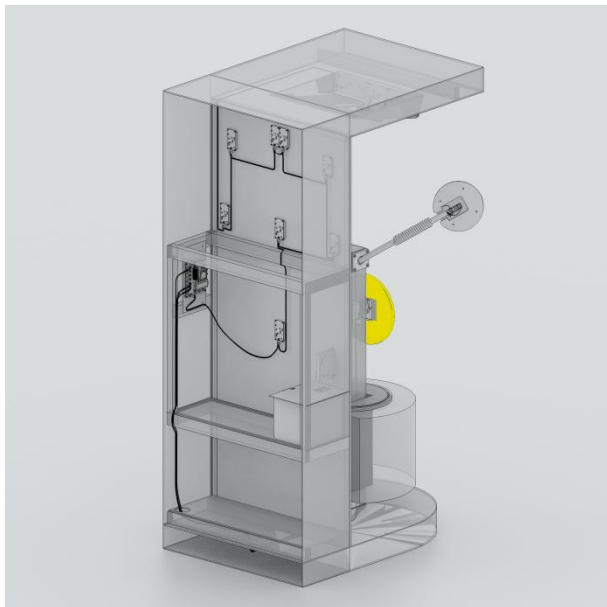
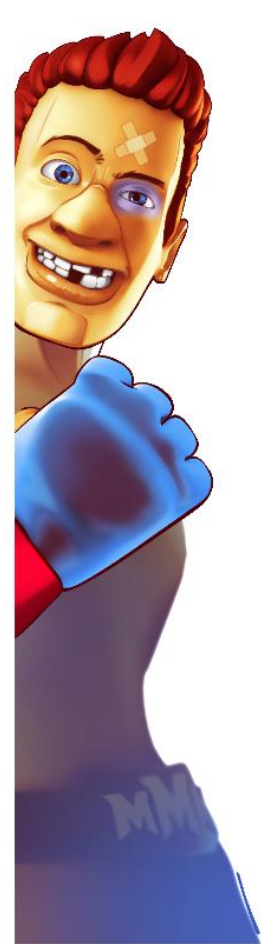


3.6 Middle impact pad _30€

TEST
Your
SPEED!

serwis@ritter-polska.pl



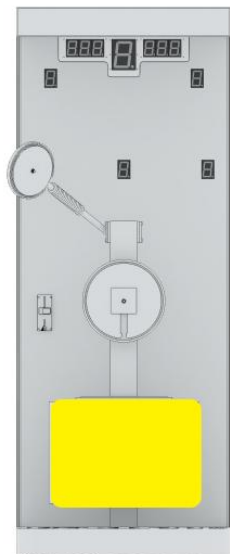
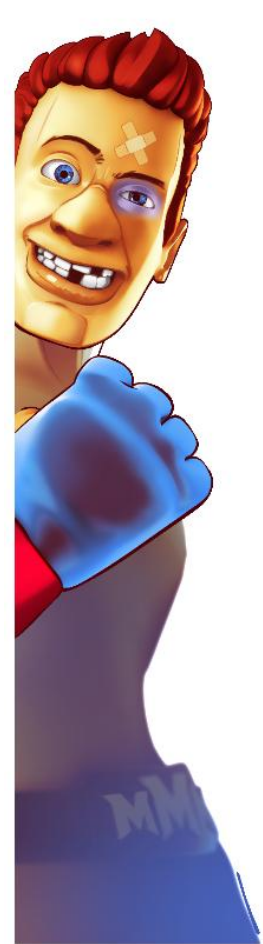


3.7 Middle plastic part with LED_50€

TEST
Your
SPEED!

serwis@ritter-polska.pl



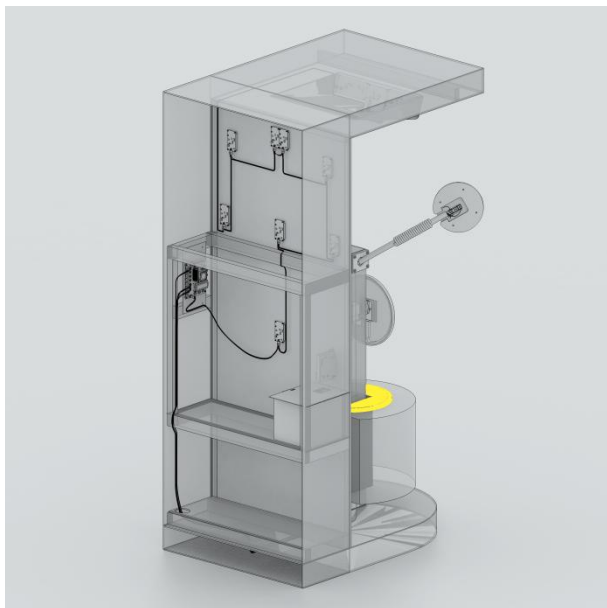
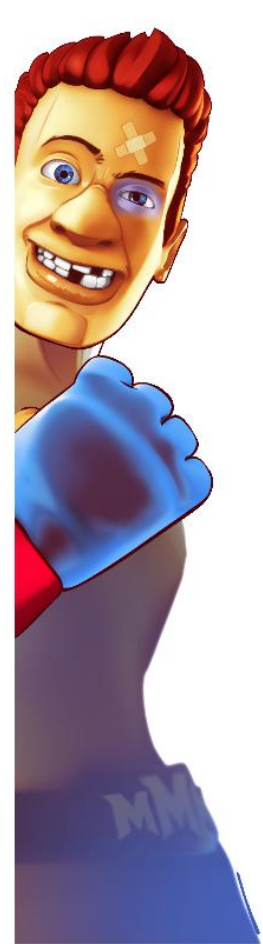


3.8 Bottom impact pad _200€

TEST
Your
SPEED!

serwis@ritter-polska.pl



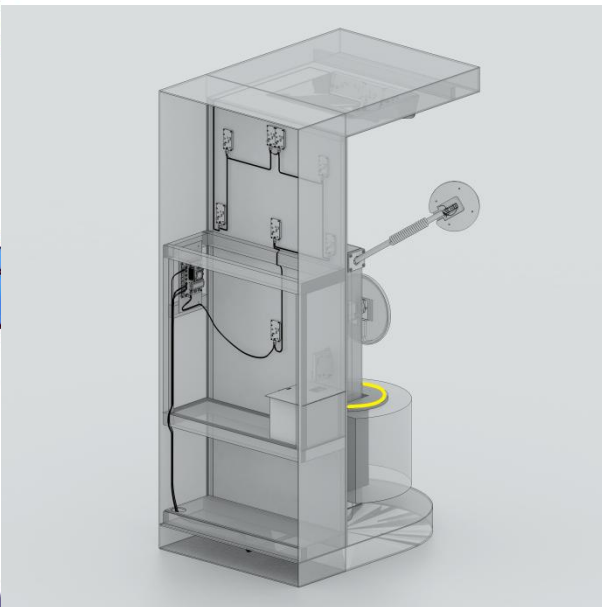
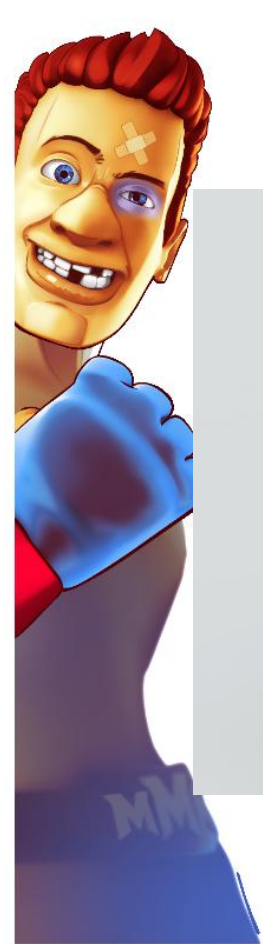


3.9 Bottom plastic part with LED_50€

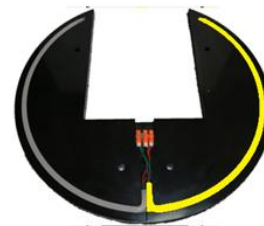
TEST
Your
SPEED!

serwis@ritter-polska.pl





or

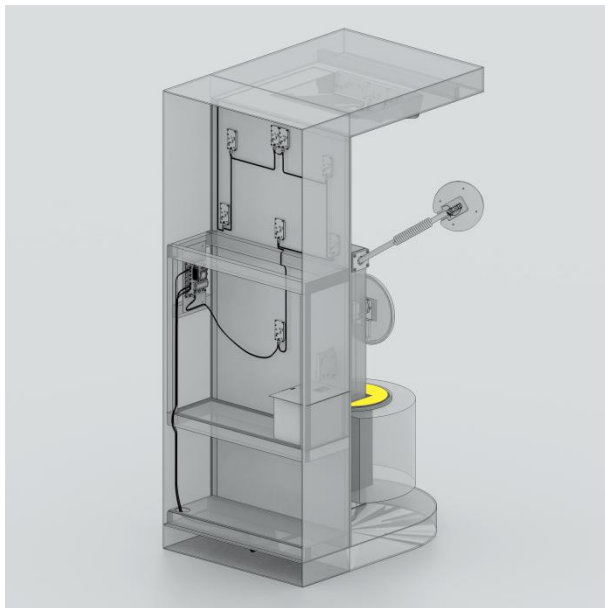
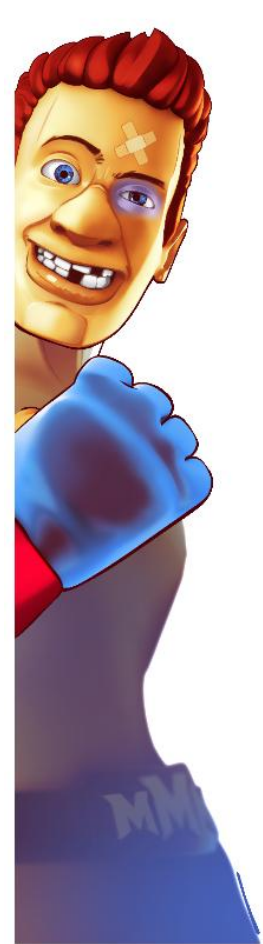


3.10 Bottom led strip_7€

TEST
Your
SPEED!

serwis@ritter-polska.pl



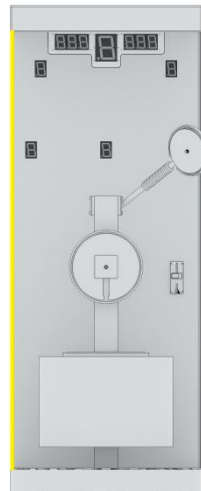
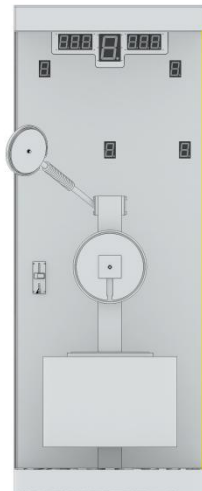


3.11 Cover bottom impact pad _5€

TEST
Your
SPEED!

serwis@ritter-polska.pl





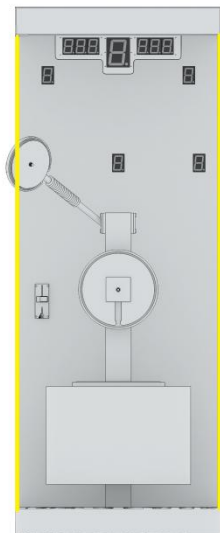
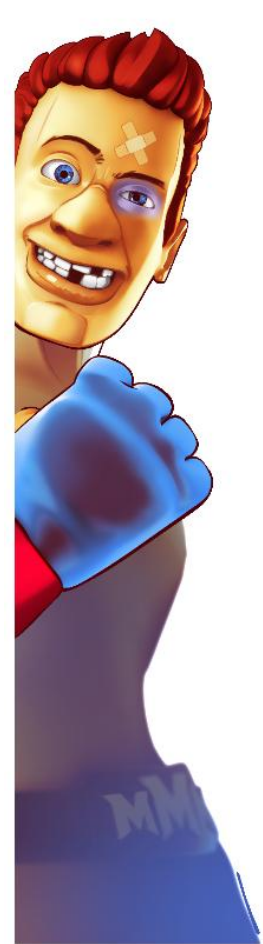
or

3.12 Side LED strip _35€

TEST
Your
SPEED!

serwis@ritter-polska.pl



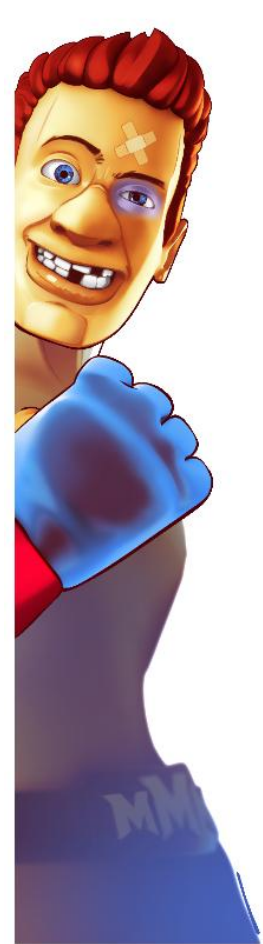


3.13 Controller LED_10€

TEST
Your
SPEED!

serwis@ritter-polska.pl



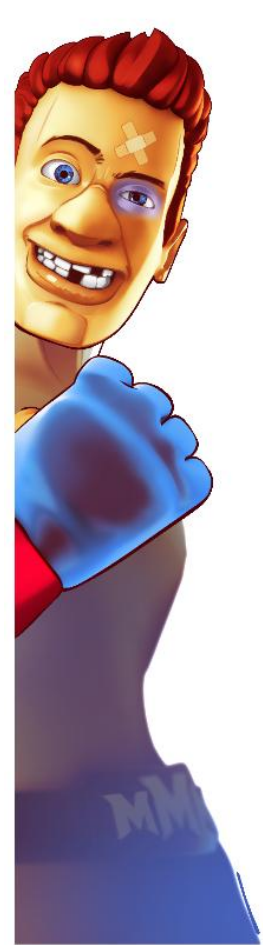


3.14 Top MMA_45€

TEST
Your
SPEED!

serwis@ritter-polska.pl



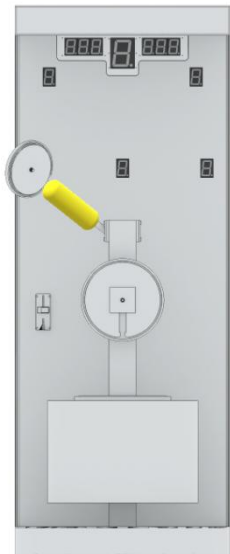
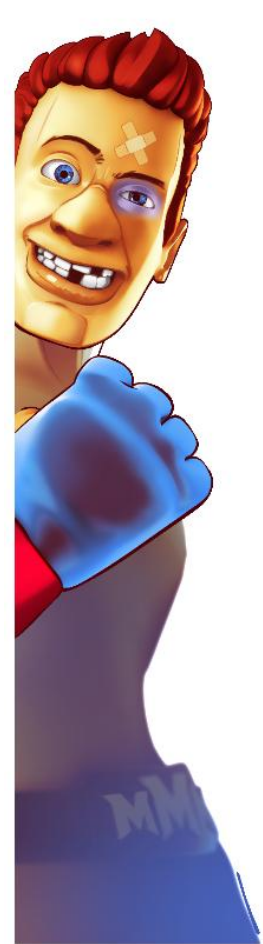


4. Protectors

TEST
YOUR
SPEED!

serwis@ritter-polska.pl



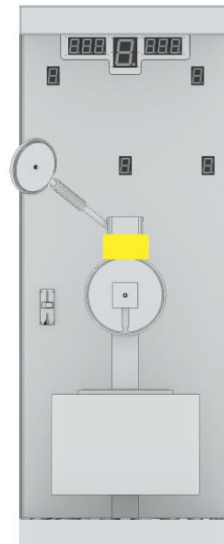
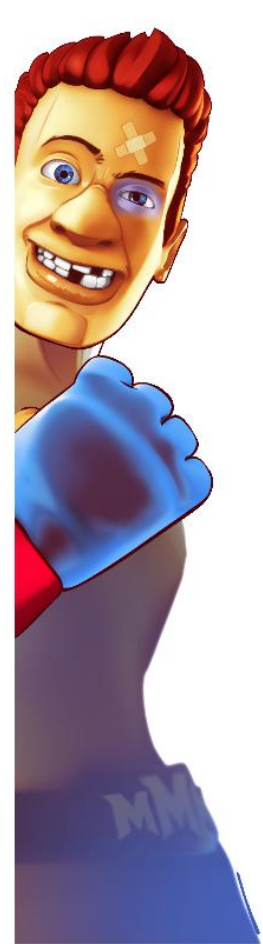


4.1 Upper protektor_5€

TEST
Your
SPEED!

serwis@ritter-polska.pl



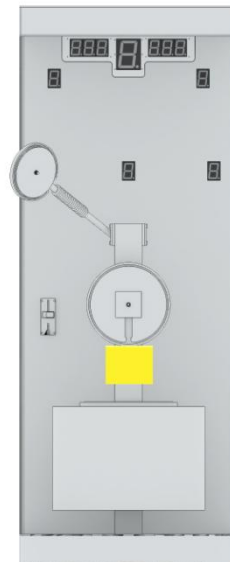
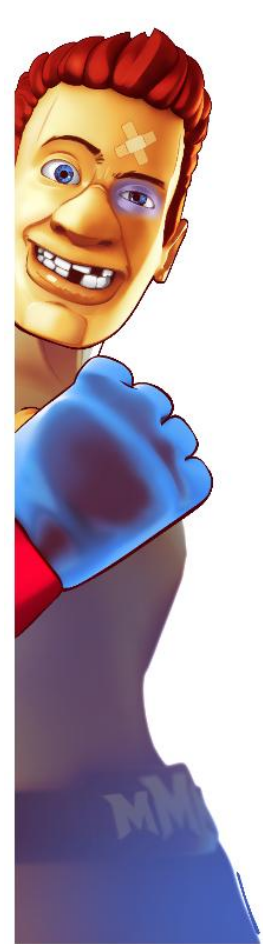


4.2 Top cover for pole_5€

TEST
Your
SPEED!

serwis@ritter-polska.pl



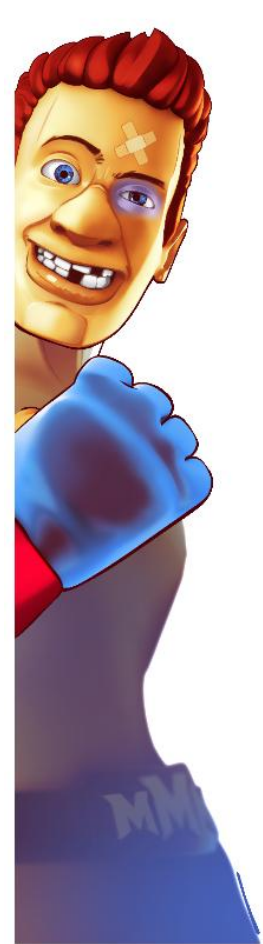


4.3 Bottom cover for pole_5€

TEST
Your
SPEED!

serwis@ritter-polska.pl





4.4 MMA side cushion left or righth_15€

TEST
YOUR
SPEED!



serwis@ritter-polska.pl

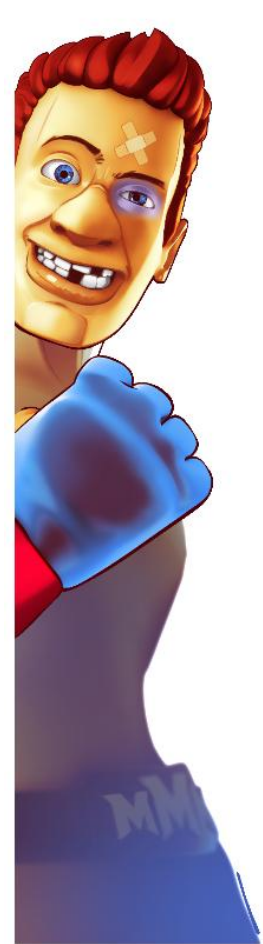


4.5 Front cover MMA (waterproof) _75€

TEST
Your
SPEED!

serwis@ritter-polska.pl



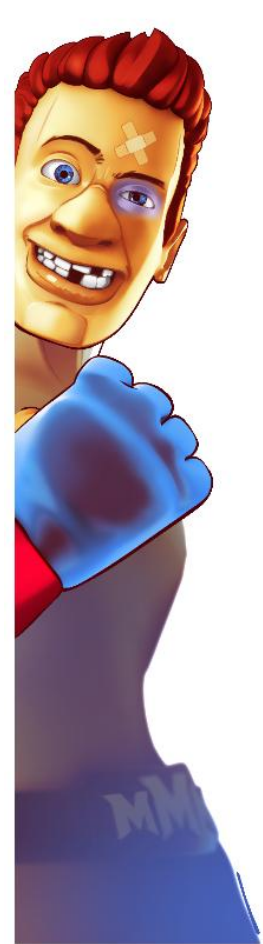


4.6 Set of covers MMA SLIM (waterproof)_150€

TEST
Your
SPEED!

serwis@ritter-polska.pl



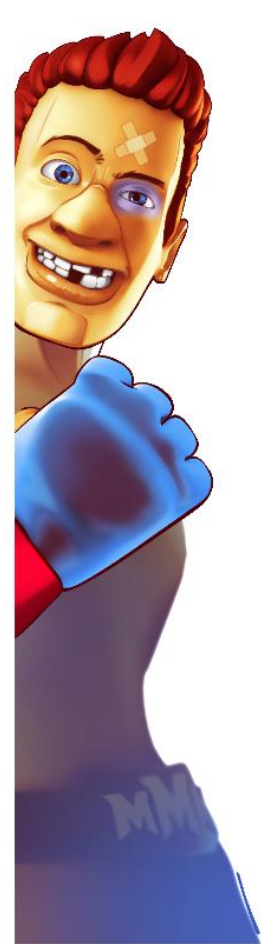


4.7 Front cover MMA SLIM (waterproof)_75€

TEST
Your
SPEED!

serwis@ritter-polska.pl





4.8 Back cover MMA (waterproof)_75€

TEST
Your
SPEED!

serwis@ritter-polska.pl





5. Stickers

TEST
YOUR
SPEED!

serwis@ritter-polska.pl



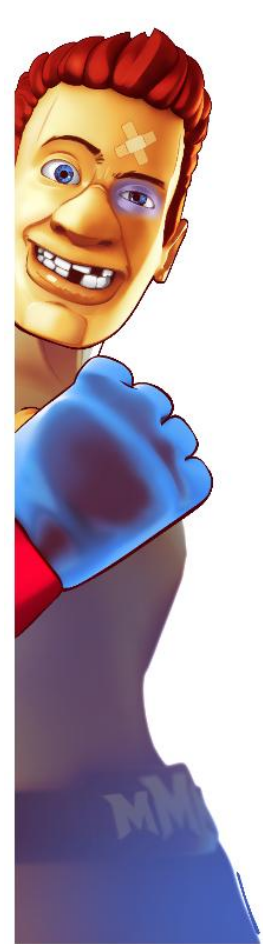


5.1 Side stickers_100€

TEST
YOUR
SPEED!



serwis@ritter-polska.pl



5.2 Side stickers _100€

TEST
YOUR
SPEED!

serwis@ritter-polska.pl





5.3 Information stickers_5€

TEST
Your
SPEED!

serwis@ritter-polska.pl

